

Patentability

United States Patent [19]

[11] **3,962,748**

Michaels

[45] **June 15, 1976**

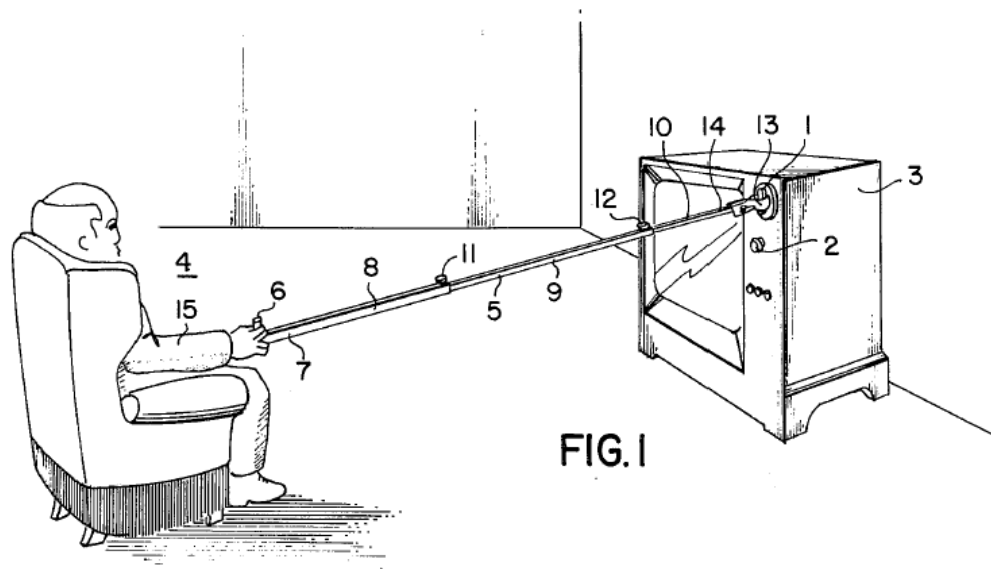
[54] **TV CONTROL DEVICE**

[75] Inventor: **Chris T. Michaels**, New York, N.Y.

[73] Assignee: **The Raymond Lee Organization, Inc.**, New York, N.Y. ; a part interest

[22] Filed: **Mar. 24, 1975**

[21] Appl. No.: **561,101**



(54) **CANINE SCUBA DIVING APPARATUS**

(76) Inventor: **Dwane L. Folsom**, 3885 S. Lake Dr.,
Boynton Beach, FL (US) 33435

(*) Notice: Subject to any disclaimer, the term of this patent is extended or adjusted under 35 U.S.C. 154(b) by 0 days.

(21) Appl. No.: **08/846,628**

(22) Filed: **Apr. 30, 1997**

(51) Int. Cl.⁷ **B63C 11/02**

(52) U.S. Cl. **128/201.27; 128/201.28; 128/201.29; 128/200.29**

(58) Field of Search 128/201.27, 201.28, 128/200.29, 201.17, 201.22, 201.24, 201.29, 202.15, 202.14, 204.26; 2/424

(56) **References Cited**

U.S. PATENT DOCUMENTS

1,689,079	* 10/1928	Murakami	128/201.27
2,113,779	* 4/1938	Williamson .	
2,238,759	* 4/1941	Vestrem	128/201.27
2,569,451	* 10/1951	Browne	128/201.27
3,246,350	* 4/1966	Pollmann .	
3,292,618	* 12/1966	Davis et al.	128/201.27
3,307,540	* 3/1967	Link	128/201.29
3,433,222	* 3/1969	Pinto	128/204.26
3,680,556	* 8/1972	Morgan	128/201.27

3,735,598	* 5/1973	Oeland, Jr.	61/70
3,880,157	* 4/1975	Elifritz .	
4,015,294	* 4/1977	O'Neill	2/2.1 R
4,527,657	* 7/1985	Payne	128/201.19
5,678,542	* 10/1997	Maffatone	128/205.24

OTHER PUBLICATIONS

Videotape Titled "Shadow and Dive Equip."

* cited by examiner

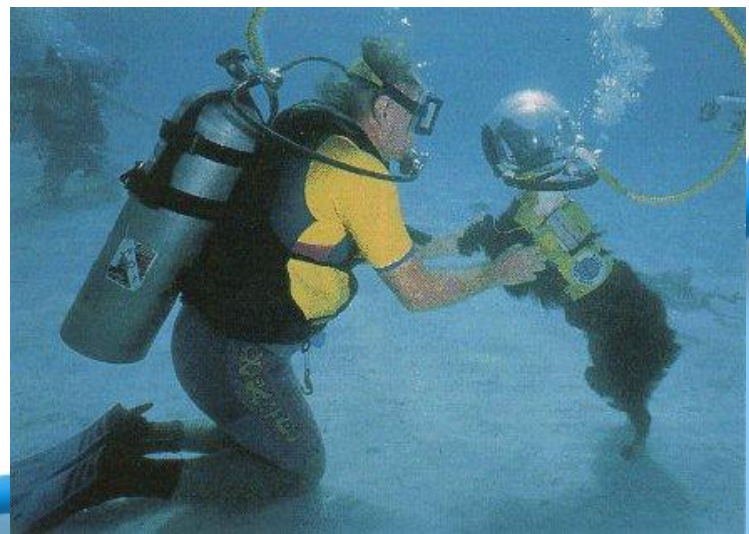
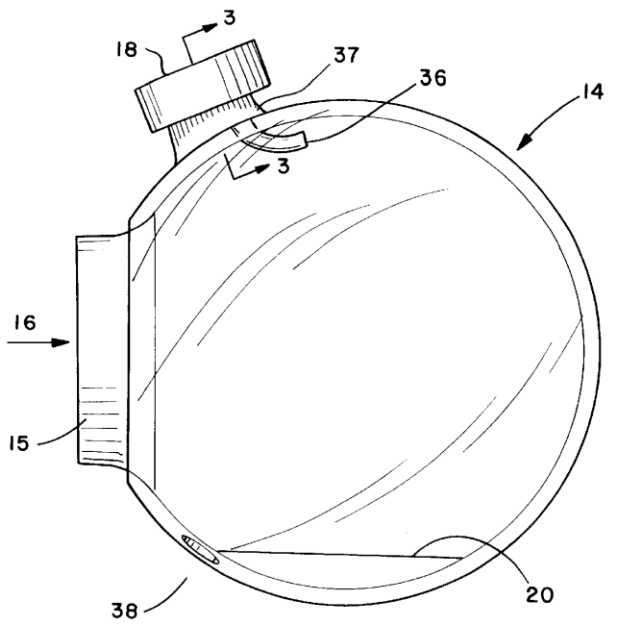
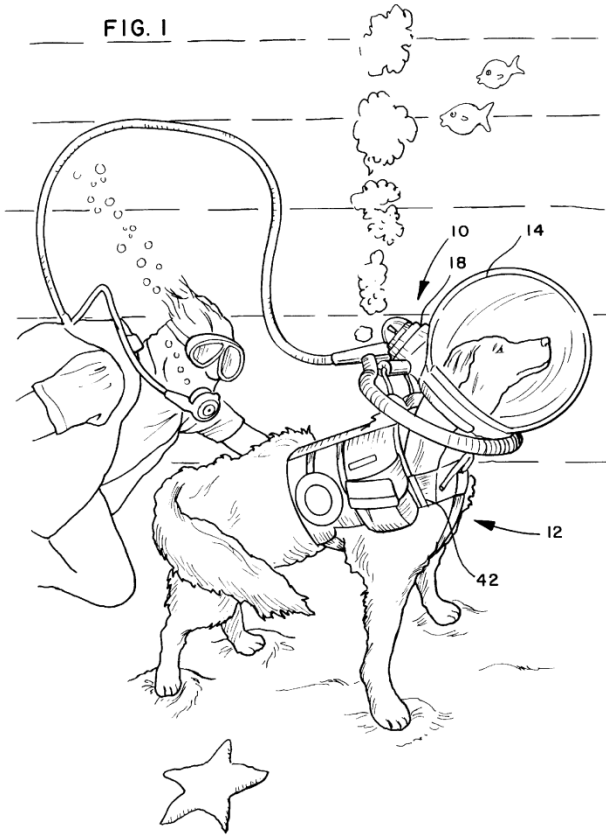
Primary Examiner—John G. Weiss
Assistant Examiner—V. Srivastava
(74) *Attorney, Agent, or Firm*—Niro, Scavone, Haller & Niro

(57) **ABSTRACT**

The invention is a special modified scuba diving apparatus intended for use by an animal, and more specifically the famous diving dog "Shadow." The invention includes a helmet, a harness for supporting the helmet and a source of breathable gas, a special regulator providing a supply of breathable gas to the interior of the helmet, an exhaust for withdrawing exhaled air and residue water from the helmet without depressurizing the helmet, and a system of weights to compensate for the buoyancy of the user, and to counteract a net moment created about the center of buoyancy. The breathing system includes a muffler. An intercom system for providing voice instructions to Shadow can also be included.

8 Claims, 3 Drawing Sheets

FIG. 1



[54] PANTS SEPARABLE AT CROTCH FOR STYLE MIXING

[76] Inventor: Allison Andrews, 1336 Landry Cir., Longwood, Fla. 32750

4,215,435	8/1980	Miele	2/227
4,554,684	11/1985	Cadoret	2/227
5,010,595	4/1991	Stradley	2/227
5,598,586	2/1997	Munjone	2/237
5,983,401	11/1999	Ohara	2/227

[21] Appl. No.: 09/405,969

[22] Filed: Sep. 27, 1999

[51] Int. Cl.⁷ A41D 1/06

[52] U.S. Cl. 2/234; 2/227

[58] Field of Search 2/234, 227, 228, 2/238, 405, 219, 220, 221, 235, 236, 237, 312, 333, 408, 301, 319

OTHER PUBLICATIONS

Gershman, Maurice: Journal of the American Medical Asso., vol. 168, p. 930, Oct. 1958.

Primary Examiner—John J. Calvert
 Assistant Examiner—Alissa L. Hoey
 Attorney, Agent, or Firm—John V. Stewart

[56] References Cited

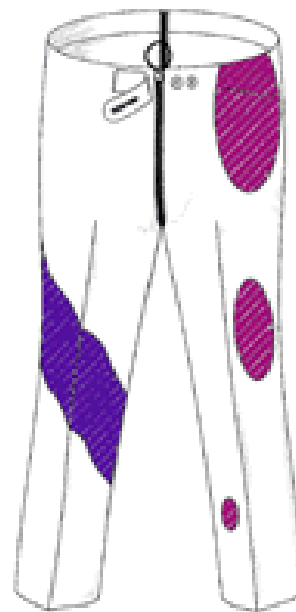
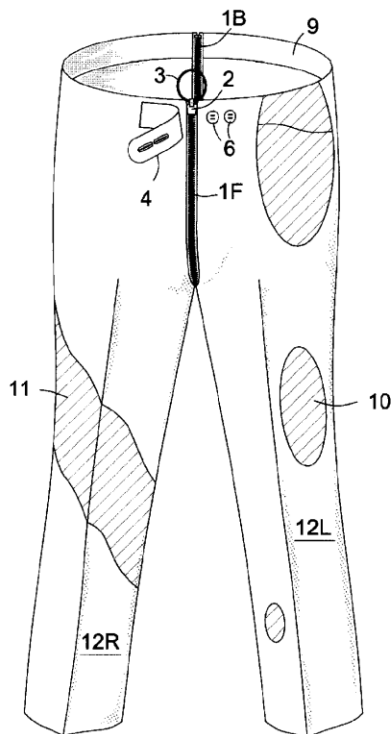
U.S. PATENT DOCUMENTS

D. 231,155	4/1974	Bowcut	D2/2
238,574	3/1881	Clyde	2/227
1,860,433	5/1932	Rosenbaum	2/227
2,166,514	7/1939	Zapis	2/67
2,703,404	3/1955	Lawson	2/79
3,823,419	7/1974	Breitbart	2/227

[57] ABSTRACT

A pair of pants that is easily separable at the crotch into right and left leg portions. Each leg portion is selected from a set of various styles to flexibly create a custom mixed or matched style for a given wearing of the pants. A closure system is provided for quick and convenient separation and re-combination of the leg portions while also providing secure use of the pants.

8 Claims, 2 Drawing Sheets



(12) **United States Patent**
Faouaz

(10) Patent No.: **US 6,783,822 B1**
 (45) Date of Patent: **Aug. 31, 2004**

(54) **MUSLIM PRAYER COUNTER**

(76) Inventor: **Hassan Faouaz**, 1025 Angela Ct.,
 Schaumburg, IL (US) 60173

(*) Notice: Subject to any disclaimer, the term of this
 patent is extended or adjusted under 35
 U.S.C. 154(b) by 44 days.

(21) Appl. No.: **10/351,502**

(22) Filed: **Jan. 27, 2003**

(51) Int. Cl.⁷ **B32B 3/02**

(52) U.S. Cl. **428/34.1; 428/85; 428/192;**
 5/417

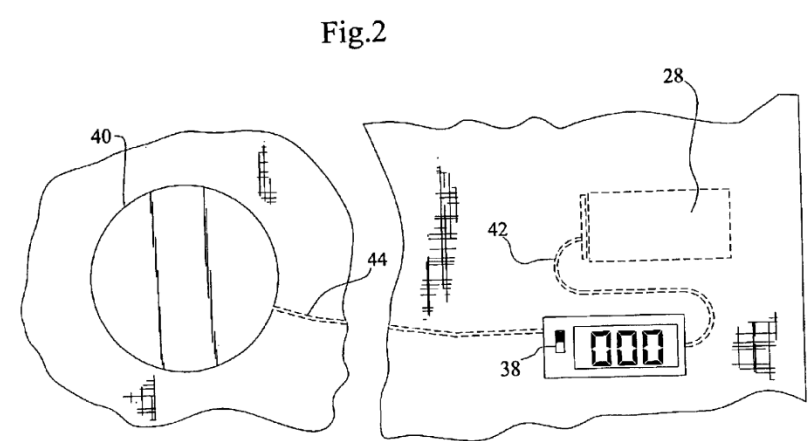
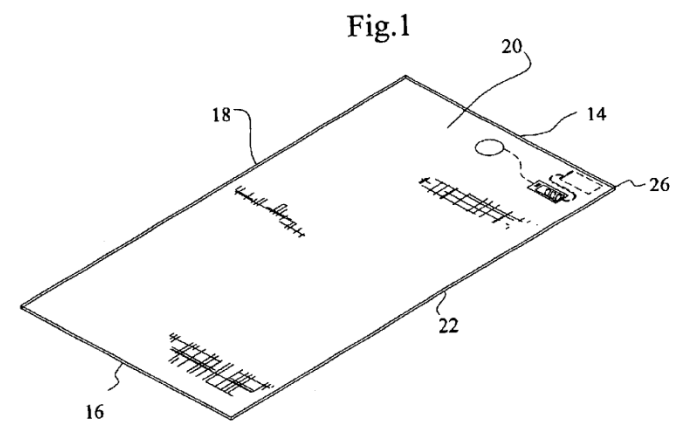
(58) Field of Search 428/85, 192, 34.1;
 5/417

(56) **References Cited**

U.S. PATENT DOCUMENTS

4,472,789 A * 9/1984 Sibley 377/107

* cited by examiner



Patentability

United States Patent [19]
Dubus et al.

US 5,421,081
 [11] **Patent Number:** 5,421,081
 [45] **Date of Patent:** Jun. 6, 1994

[54] **FORK WITH TIMER**

[76] **Inventors:** Nicole M. Dubus; Susan Springfield,
 both of 132 Castillion Ter., Santa
 Cruz, Calif. 95060

[21] **Appl. No.:** 249,191

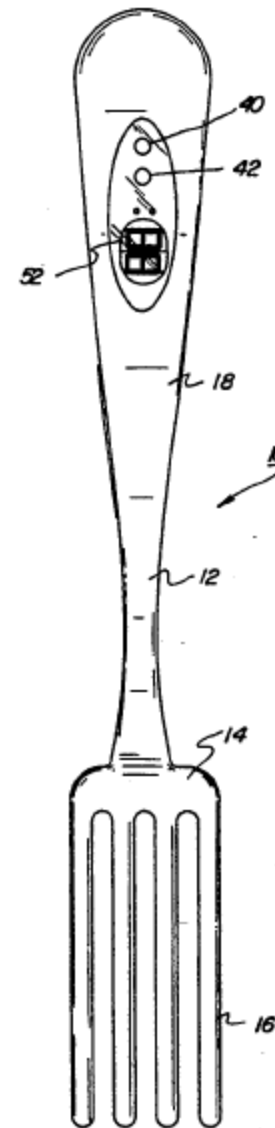
[22] **Filed:** May 26, 1994

[51] **Int. Cl.⁶** A47J 43/28

[52] **U.S. Cl.** 30/142; 30/322

[58] **Field of Search** 30/123, 142, 324, 137,
 30/147, 148, 149, 150, 322; 446/81, 175

[56] **References Cited**



Patentability

United States Patent [19]

[11] **Patent Number:** **5,509,859**

Klees et al.

[45] **Date of Patent:** **Apr. 23, 1996**

[54] **LEASH WITH SOUND**

5,145,447 9/1992 Goldfarb 446/408
 5,316,515 5/1994 Hyman et al. 446/28

[75] Inventors: **Daniel J. Klees**, 224 W. Park St.,
 Mundelein, Ill. 60060; **Terri Shepherd**,
 Mundelein, Ill.

FOREIGN PATENT DOCUMENTS

791389 12/1980 U.S.S.R. 446/303

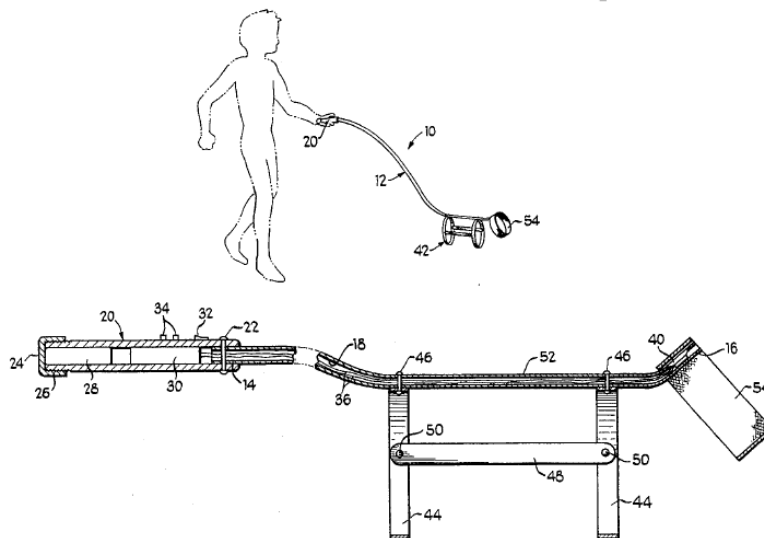
[73] Assignee: **Daniel J. Klees**, Mundelein, Ill.

Primary Examiner—Mickey Yu
Attorney, Agent, or Firm—Dick And Harris

[21] Appl. No.: **496,601**

[57] **ABSTRACT**

[22] Filed: **Jul. 29, 1995**



Patentability

(12) **United States Patent**
Boys

(10) **Patent No.:** US 6,490,999 B1
(45) **Date of Patent:** Dec. 10, 2002

(54) **COLLAR APPARATUS ENABLING SECURE HANDLING OF A SNAKE BY TETHER**

(75) **Inventor:** Donald Robert Martin Boys, Bella Vista, CA (US)

(73) **Assignee:** Central Coast Patent Agency, Inc., Aromas, CA (US)

(*) **Notice:** Subject to any disclaimer, the term of this patent is extended or adjusted under 35 U.S.C. 154(b) by 0 days.

(21) **Appl. No.:** 09/942,485

(22) **Filed:** Aug. 29, 2001

(51) **Int. Cl.⁷** A01K 27/00

(52) **U.S. Cl.** 119/792; 119/654; 119/769; 119/795; 119/856; 119/864; 119/865

(58) **Field of Search** 119/792, 760, 119/769, 795, 815, 816, 864, 865, 714, 821, 654, 856

5,829,058 A * 11/1998 Dicker et al. 2/227
6,101,981 A * 8/2000 Friend et al. 119/860
6,156,001 A * 12/2000 Frangi et al. 602/19
6,182,293 B1 * 2/2001 Mustin 2/161.1
6,192,835 B1 * 2/2001 Calhoun et al. 119/792
6,205,956 B1 * 3/2001 Dickie et al. 119/792

OTHER PUBLICATIONS

Donald Robert Martin Boys, Collar Apparatus Enabling Tethering and Walking of a Snake Disclosure Document No. 497,031, Jul. 18, 2001, USPTO.

* cited by examiner

Primary Examiner—Charles T. Jordan

Assistant Examiner—Bret Hayes

(74) *Attorney, Agent, or Firm*—Donald R. Boys; Central Coast Patent Agency, Inc.

(57) **ABSTRACT**

A collar for collaring a snake has an elongated collar section forming a physical collar when wrapped around the body portion of the snake. The collar further has a support section

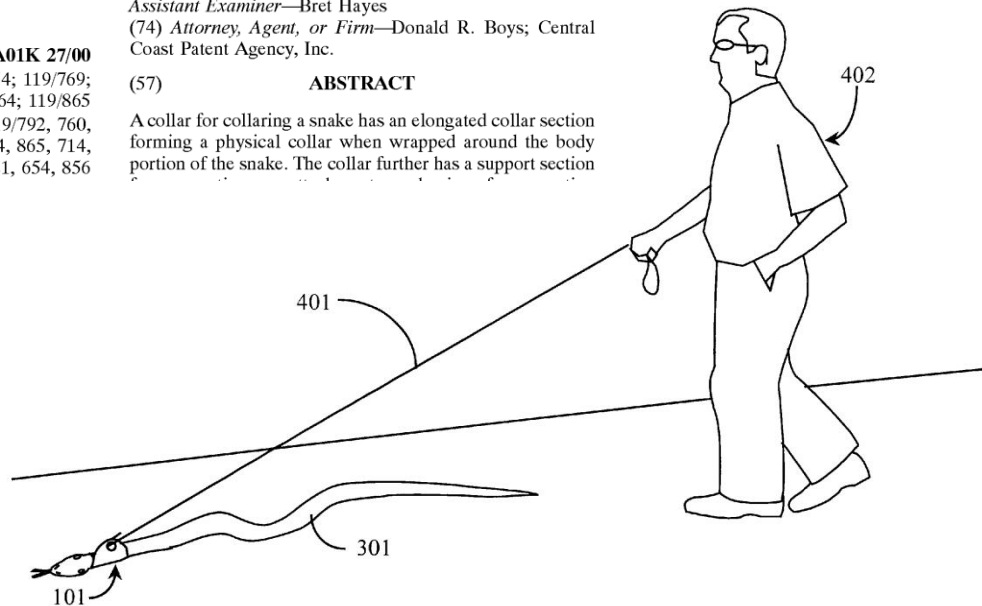
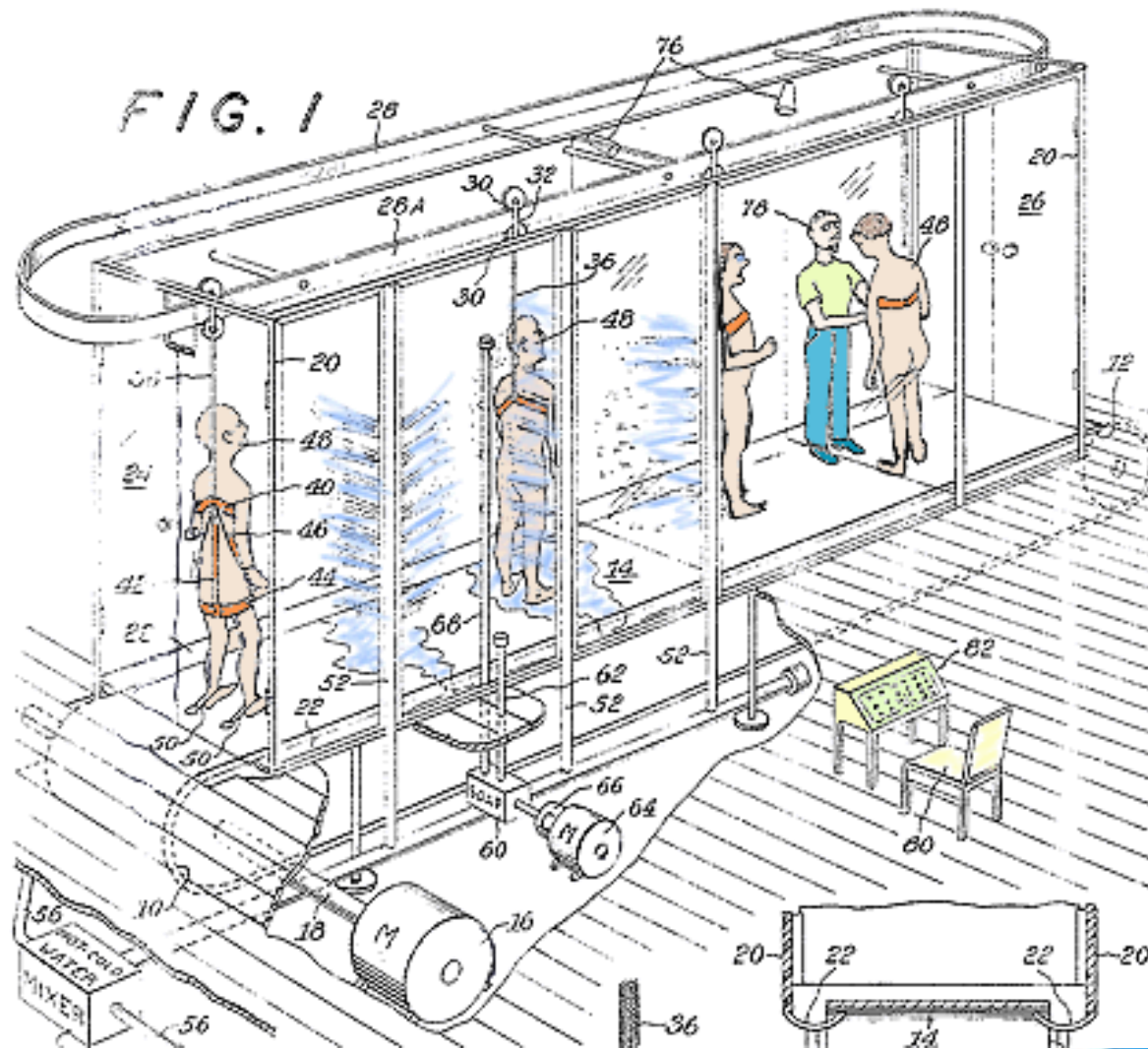


Fig. 4

Patentability



Human Car Wash (Patent, 1969)

Patentability

United States Patent [19]

Cane

[11] **Patent Number:** 5,523,741

[45] **Date of Patent:** Jun. 4, 1996

[54] **SANTA CLAUS DETECTOR**

[76] **Inventor:** Thomas Cane, 28 Westwood Dr., San Rafael, Calif. 94901

3,525,862	8/1970	Carter	362/808
4,823,240	4/1989	Shenker	362/808
4,833,580	5/1989	Allen	362/806
4,858,079	8/1989	Ohashi	362/806
5,033,212	7/1991	Evanyk	36/137
5,361,192	11/1994	Lai	362/806

[21] **Appl. No.:** 293,673

[22] **Filed:** Aug. 19, 1994

[51] **Int. Cl.⁶** G08B 23/00

[52] **U.S.**

*Primary Examiner—Brent A. Swarthout
Assistant Examiner—Albert K. Wong
Attorney, Agent, or Firm—Ralph C. Francis*

[58] **Field**

[56]

3,220,1:

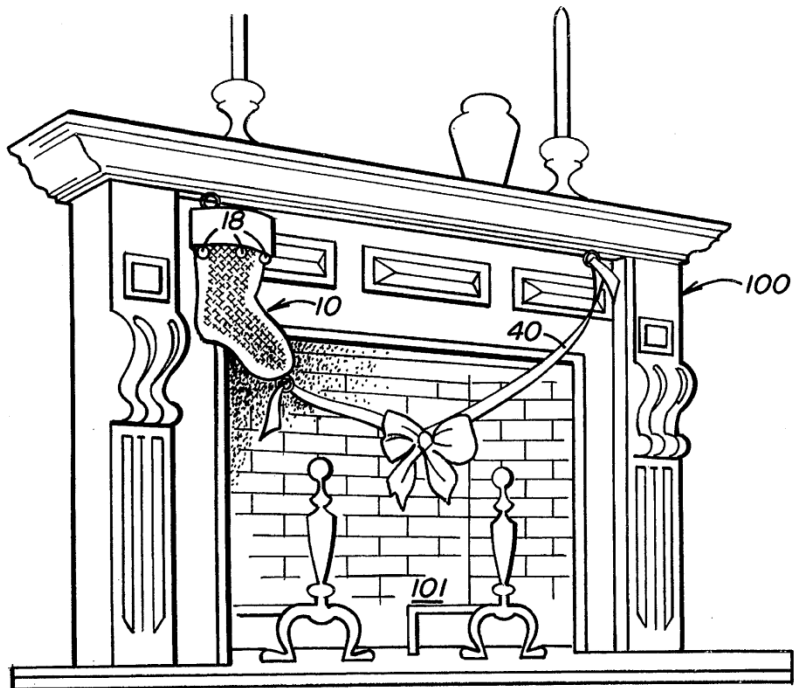
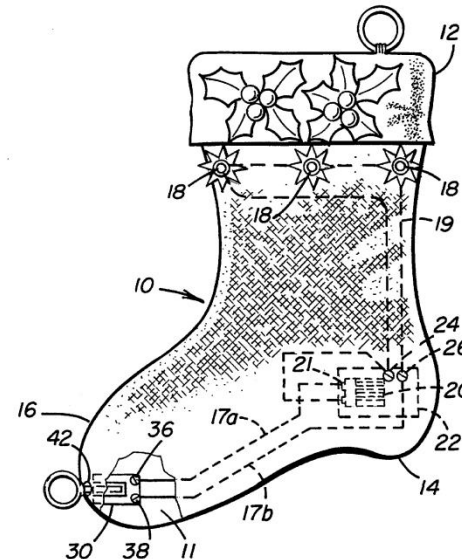


FIG. 1A



Patentability

התקן למניעת נפילת אטבים ואיבודם - פטנט ישראלי מס' 108585

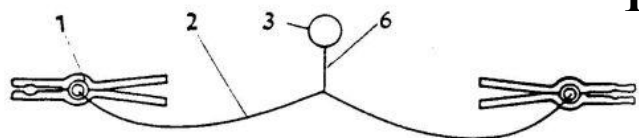


FIGURE 1

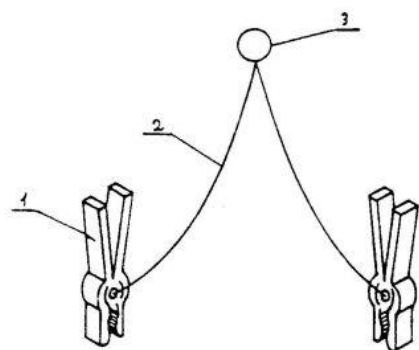


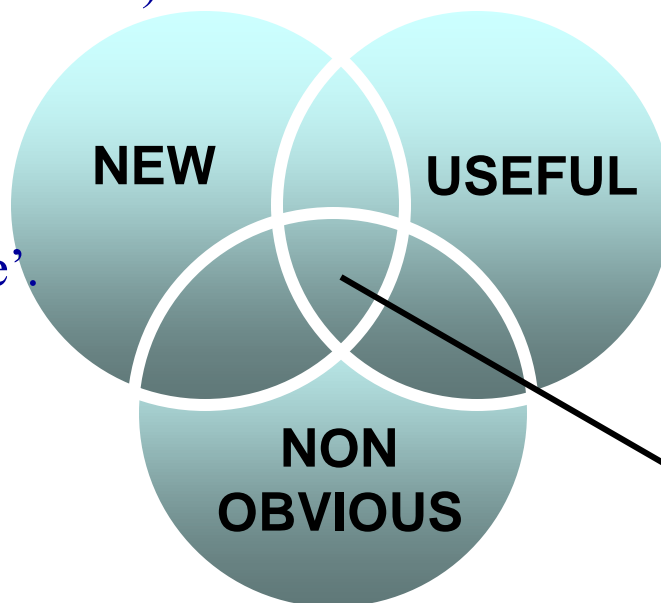
FIGURE 2

מכירים את התופעה: אתם רוכנים מעל חוטי הכביסה ומושיטים יד לעבר המגבת התלויה על החוט הרחוק ביותר (הכרס מפריעה קצת), כשלפתע, ללא התרעה, צונח האטב למטה ונעלם. הפטנט הזה פותר את הבעיה.

צמדי אטבים מחוברים להם יחדיו באמצעות חוט לטבעת המושחלת על חוט הכביסה. גם אם יישמט האטב מן היד, הוא ישאר תלוי, משתלשל מתחת לחוט הכביסה

Patentability

- Public disclosed ('Prior Art').
- Worldwide.
- By anyone / inventor.
- Prior to 'Priority Date'.



- ANY useful benefit

- Anyone skilled in the art

• Economics, stupidity, implementing.... – NOT RELEVANT !!!!

**INTERNATIONAL PRELIMINARY
EXAMINATION REPORT**

International application No. PCT/IL97/00195

V. Reasoned statement under Article 35(2) with regard to novelty, inventive step or industrial applicability; citations and explanations supporting such statement

1. Statement

Novelty (N)	Yes: Claims 1-24
	No: Claims
Inventive step (IS)	Yes: Claims 1-24
	No: Claims
Industrial applicability (IA)	Yes: Claims 1-24
	No: Claims

2. Citations and explanations

see separate sheet

**INTERNATIONAL PRELIMINARY
EXAMINATION REPORT**

International application No. PCT/IL01/00954

5. This report has been established as if (some of) the amendments had not been made, since they have been considered to go beyond the disclosure as filed (Rule 70.2(c)).

(Any replacement sheet containing such amendments must be referred to under item 1 and annexed to this report.)

6. Additional observations, if necessary:

V. Reasoned statement under Article 35(2) with regard to novelty, inventive step or industrial applicability; citations and explanations supporting such statement

1. Statement

Novelty (N)	Yes: Claims	1-29
	No: Claims	
Inventive step (IS)	Yes: Claims	
	No: Claims	1-29
Industrial applicability (IA)	Yes: Claims	1-29
	No: Claims	

2. Citations and explanations

see separate sheet

First Software Patent

1.039,141



PATENT SPECIFICATION

DRAWINGS ATTACHED

1.039,141

Date of filing Complete Specification: May 15, 1963.

Application Date: May 21, 1962.

No. 19463/62.

Complete Specification Published: Aug. 17, 1966.

© Crown Copyright 1966.

Index at acceptance:—G4 A (15D, 16D)

Int. Cl.:—G 06 f

COMPLETE SPECIFICATION

A Computer Arranged for the Automatic Solution of Linear Programming Problems

We, THE BRITISH PETROLEUM COMPANY LIMITED, of Britannic House, Finsbury Circus, London, E.C.2, a British joint-stock Corporation, and PATRICK VINCENT SLEE and PAULINE MARGARET JOYCE HARRIS, both of the aforesaid Company's address and both of British nationality, do hereby declare the invention for which we pray that a patent may be granted to us, and the method by which it is to be performed, to be particularly described in and by the following statement:—

This invention relates to linear programming means for controlling the operation of data processing apparatus.

Briefly linear programming, so far as it relates to the present invention, is concerned with the control of digital data processing

matrix which is stored in an appropriate storage device, the matrix comprising sets of elements which are defined as "columns" with respect to one ordinate of the matrix and as "rows" with respect to the other. In an exemplary application, the computer is controlled by the simplex linear programme device as follows, the procedure being defined in terms of matrix columns.

(1) The computer is programmed to successively scan or read the columns of the first matrix and the elements within each column to identify an element in one column which satisfies a predetermined condition. The selected column is referred to as a "pivot column" and is stored; the row therein

50

55

60

On May 21, 1962, a British patent application entitled; "A Computer Arranged for the Automatic Solution of Linear Programming Problems" was filed. The invention is concerned with efficient memory management for the simplex algorithm, and may be implemented by purely software means.

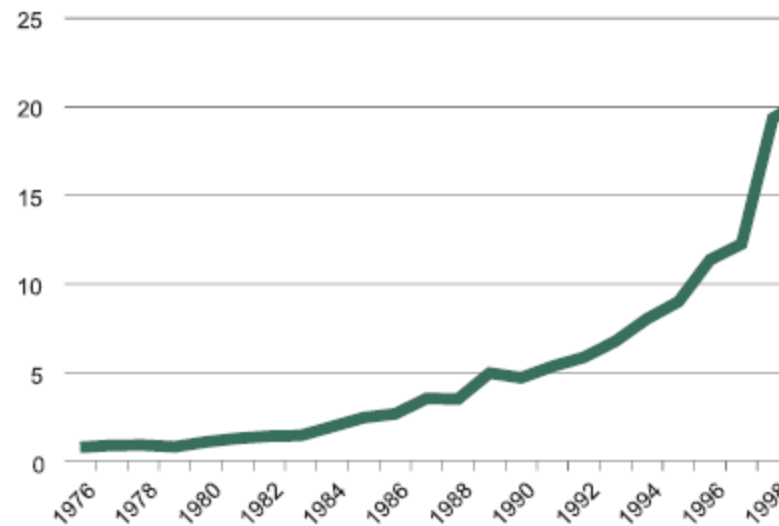
The patent, GB1039141, was granted on August 17, 1966. Corresponding patents in the same family were granted in five other European countries.

Software Patents

FIGURE 1

**Software Patents Granted in the U.S.
(1976-2002)**

Thousands

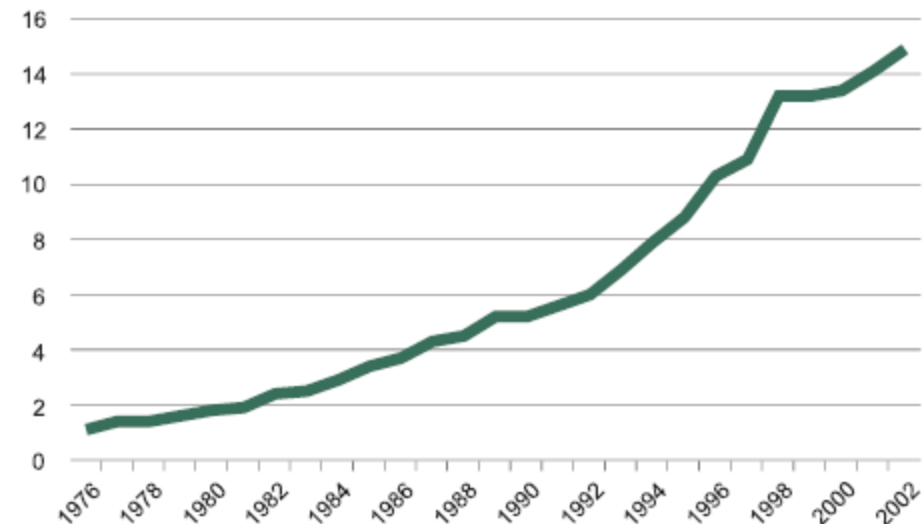


Source: U.S. Patent and Trademark Office and authors' calculations.
Plots software patents by grant date.

FIGURE 2

**Software Patent Share in the U.S.
(1976-2002)**

Percent



Source: U.S. Patent and Trademark Office and authors' calculations.
Plots the percentage of patents granted in a year that are software patents.

**Software Patents Granted in the U.S.
(1976-2002)**

**Source: U.S. Patent and Trademark Office and authors' calculations.
Plots software patents by grant date.**

[54] **CRYPTOGRAPHIC COMMUNICATIONS SYSTEM AND METHOD**

[75] Inventors: **Ronald L. Rivest, Belmont; Adi Shamir, Cambridge; Leonard M. Adleman, Arlington, all of Mass.**

[73] Assignee: **Massachusetts Institute of Technology, Cambridge, Mass.**

[21] Appl. No.: **860,586**

[22] Filed: **Dec. 14, 1977**

[51] Int. Cl.³ **H04K 1/00; H04I 9/00**

[52] U.S. Cl. **178/22.1; 178/22.1**

[58] Field of Search **178/22, 22.1, 22.11
178/22.14, 22.1**

[56] **References Cited**

U.S. PATENT DOCUMENTS

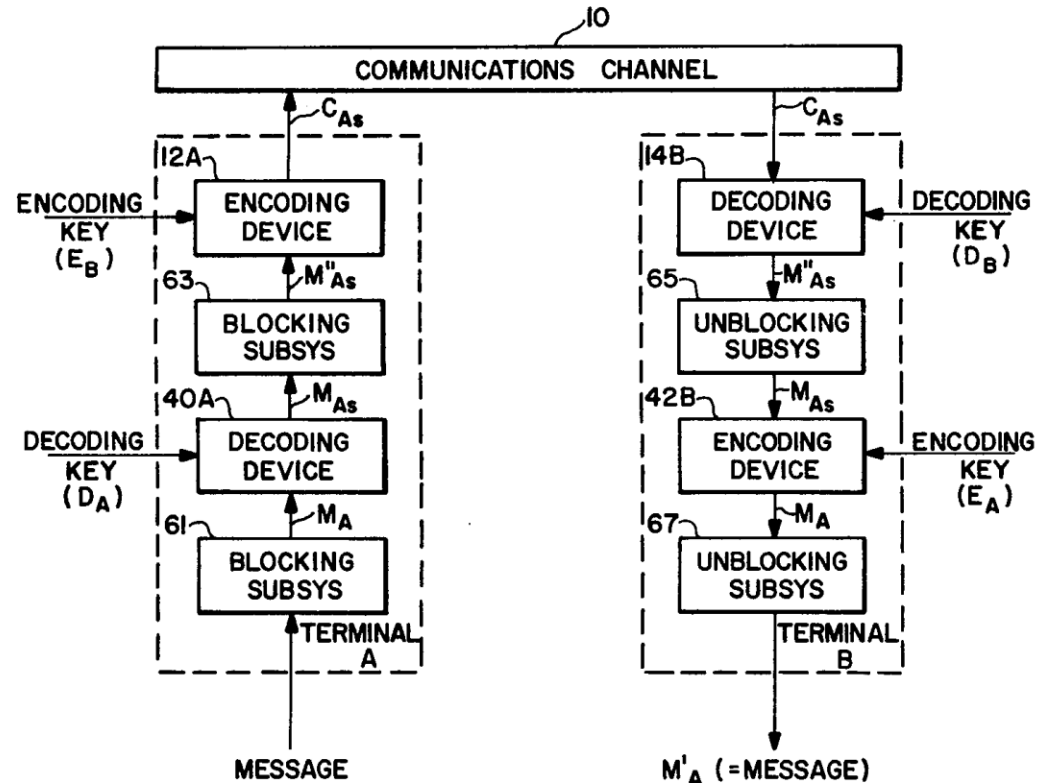
3,657,476 4/1972 Aiken 178/2

OTHER PUBLICATIONS

*Primary Examiner—Sal Cangialosi
Attorney, Agent, or Firm—Arthur A. Smith, Jr.; Robert J. Horn, Jr.*

[57] **ABSTRACT**

A cryptographic communications system and method. The system includes a communications channel coupled to at least one terminal having an encoding device and to at least one terminal having a decoding device. A message to be transferred is enciphered to ciphertext at



[54] **APPARATUS AND METHOD FOR COMPRESSING DATA SIGNALS AND RESTORING THE COMPRESSED DATA SIGNALS**

[75] Inventors: **Willard L. Eastman**, Lexington, Mass.; **Abraham Lempel**; **Jacob Ziv**, both of Haifa, Israel; **Martin Cohn**, Arlington, Mass.

[73] Assignee: **Sperry Corporation**, New York, N.Y.

[21] Appl. No.: **291,870**

[22] Filed: **Aug. 10, 1981**

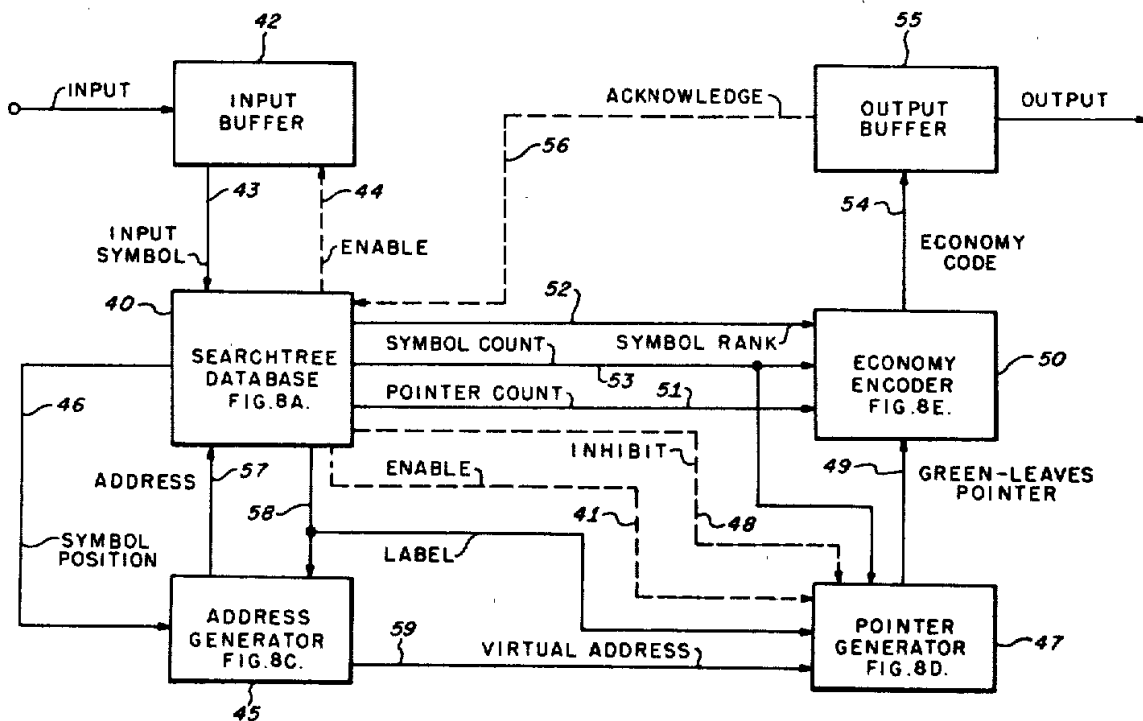
[51] Int. Cl.³

[52] U.S. Cl. **340/347 E**

[58] Field of Search **340/347 D**

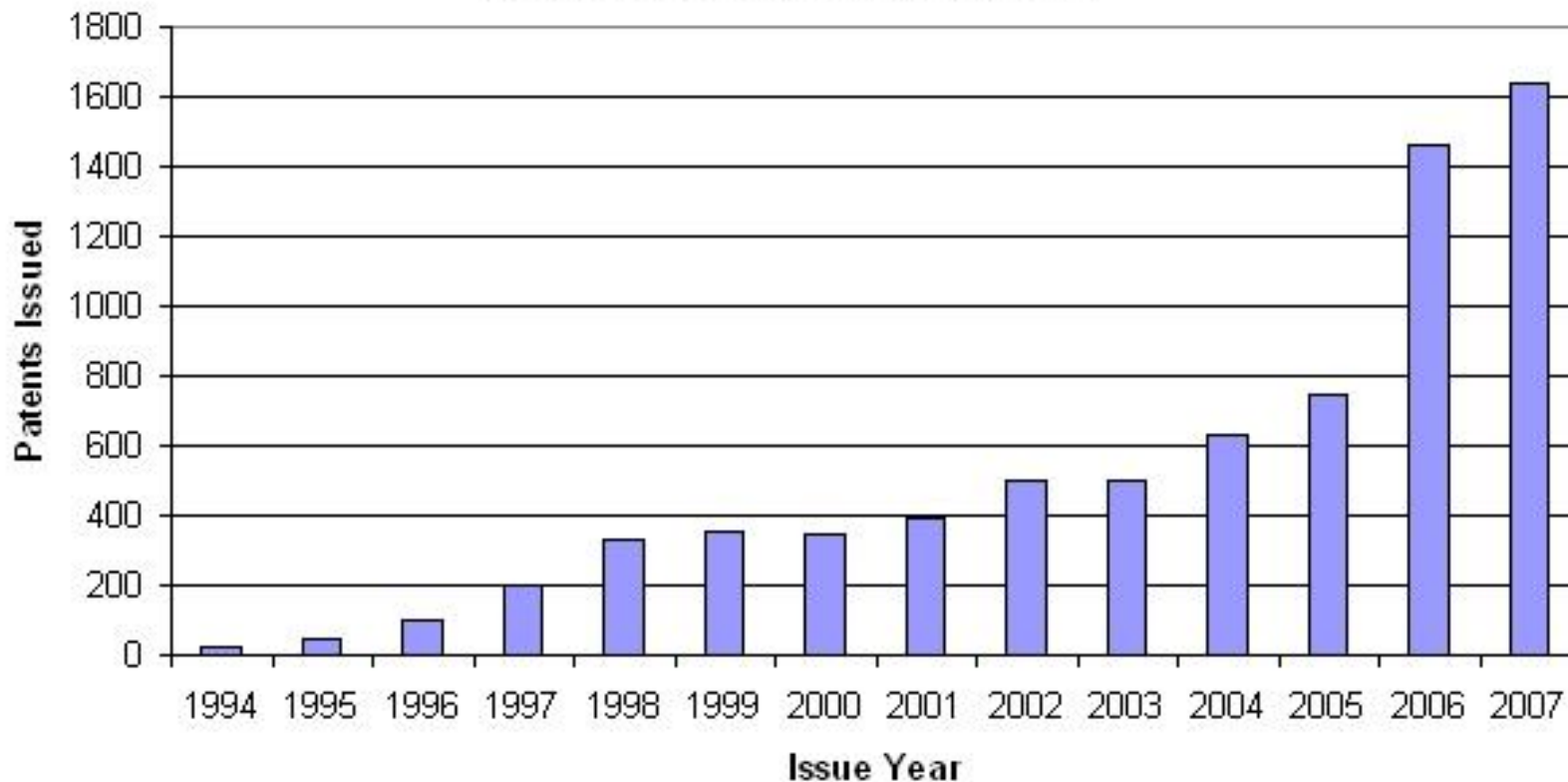
[57] **ABSTRACT**

A compressor parses the input data stream into segments where each segment comprises a prefix and the next symbol in the data stream following the prefix. The prefix of a segment is the longest match with a previously parsed segment of the data stream. The compressor constructs a search tree data base to effect the parsing and to generate a pointer for each segment pointing to the previous segment matching the prefix. The search tree comprises internal nodes including a root and exter-



Microsoft Patents

Microsoft's Patent Count

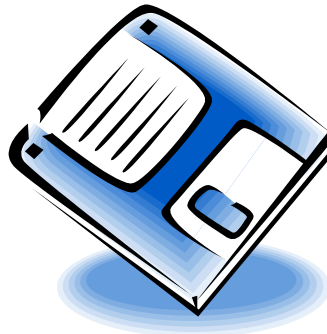


2007: A federal jury in San Diego has ordered Microsoft to pay \$1.53B to Alcatel-Lucent in a patent dispute over MP3 audio technology used in Windows.

Software Patents



Patentable



??????????



Non-Patentable

Inventorship / Ownership

(12) **United States Patent**
Fadell et al.

(10) **Patent No.:** **US 7,627,343 B2**
 (45) **Date of Patent:** ***Dec. 1, 2009**

(54) **MEDIA PLAYER SYSTEM**

(75) Inventors: **Anthony M. Fadell**, Portola Valley, CA (US); **Stephen Paul Zadesky**, San Carlos, CA (US); **John Benjamin Filson**, Los Altos, CA (US)

(73) Assignee: **Apple Inc.**, Cupertino, CA (US)

(*) Notice: Subject to any disclaimer, the term of this patent is extended or adjusted under 35 U.S.C. 154(b) by 427 days.

This patent is subject to a terminal disclaimer.

(21) Appl. No.: **10/423,490**

OTHER PUBLICATIONS

Co-Pending U.S. Appl. No. 11/875,661; Co-Pending U.S. Appl. No. 12/238,278; Co-Pending U.S. Appl. No. 12/394,459; Co-Pending U.S. Appl. No. 12/418,439; Co-Pending U.S. Appl. No. 11/875,638.*

(Continued)

Primary Examiner—George Eng

Assistant Examiner—Brandon J Miller

(74) *Attorney, Agent, or Firm*—Townsend and Townsend and Crew LLP

(57) **ABSTRACT**

A media player system is disclosed. One aspect of the media player system pertains to a docking station that allows a

Patent = Asset

Inventorship / Ownersip

- All inventors must be identified
- Inventor = contributor to the conception only
- The *assignor* grants the *assignment* to the *assignee*
- Ownership begins with the inventor = The inventor is the first assignee
- Co-ownership possible. Not recommended.
- Assignment can (must) be recorded at the patent office

המצאת עובד

- עובד חייב לדווח למעבידו על כל המצאה ו/או בקשת פטנט שהגיע אליה עקב שירותו או בתקופת שירותו (דרישה גורפת!).
- המצאה של עובד, שהגיע אליה עקב שירותו ובתקופת שירותו, היא קניינו של המעביד(!), אלא אם הלה ויתר עליה תוך שישה חודשים מיום שקיבל ההודעה על ההמצאה.
- Sub-contractors, consultants ?????

המצאת עובד

כלכליסט

המדינה תובעת חצי מיליארד שקל מחברת התרופות אומריקס המדינה טוענת לגזילת זכויותיה לכאורה בתכשיר הדבק הביולוגי, שעל בסיס פיתוחו רכשה ג'ונסון אנד ג'ונסון את אומריקס ב-438 מיליון דולר

[מארק שון](#)

14:08, 22.12.09

מדינת ישראל הגישה היום (ג') לבית המשפט המחוזי בתל אביב תביעה בסכום של חצי מיליארד שקל נגד חברת התרופות אומריקס והיזם רוברט טאוב, בטענה לגזילת זכויות המדינה לכאורה בתכשיר הדבק הביולוגי, תכשיר מציל חיים המיוצר מנוזל הדם ומשמש לעצירת דימומים קשים ולקרישת הדם.

בתביעה נטען כי מדובר במוצר שמבוסס על המצאה של פרופ' [אוריאל מרטינוביץ'](#), מנהל המרכז להמופיליה בבית החולים "שיבא", שהינו עובד מדינה וכל הזכויות במוצר שייכות למדינה. המדינה מדגישה כי המוצר פותח תוך שימוש במשאבי בית החולים, בתשתיותיו המחקריות, בתקציבו ובסיוע מומחים נוספים המועסקים בבית החולים על ידי המדינה.

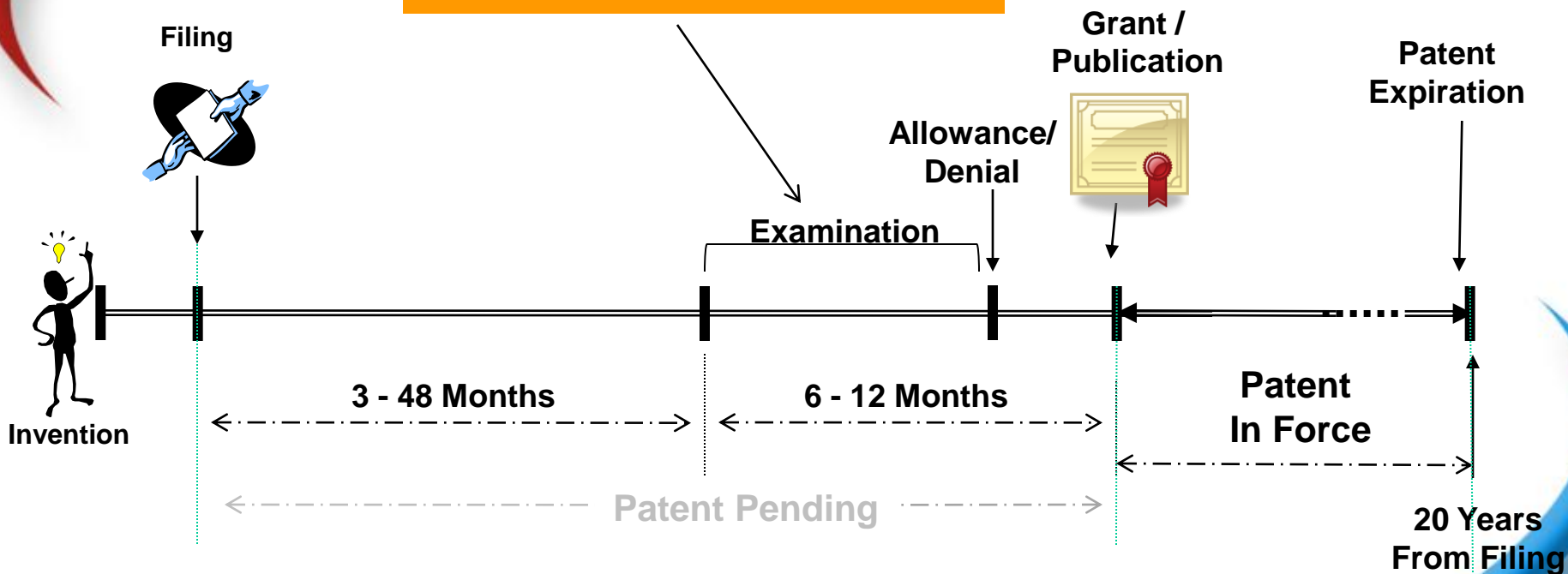
Important Terms

- Claims (Apparatus / method)
- Specification (Description)
- Enablement
- Prior-Art
- Assignor / Assignee / Assignment

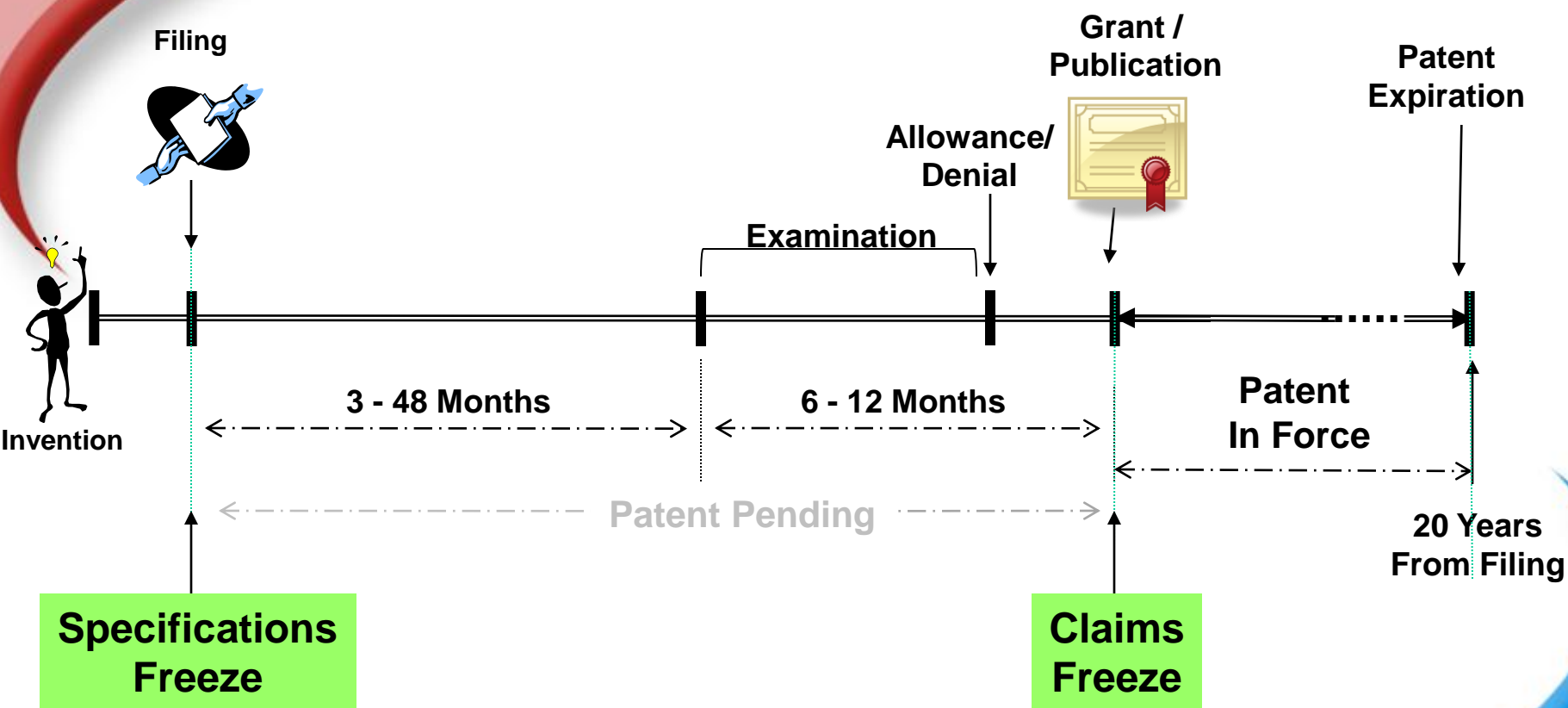
Patent Trail

Examination of:

- 1. Patentable matter**
- 2. Formalities**
- 3. New + Useful + Non-Obvious**



Patent Trail



Where to file ?

- **As a minimum – Per the business plan.**
 - Use, sell and import (End Market).
 - Make (Manufacturing).
 - Develop (R&D).
- Common filings:
 - US, Europe (Germany, UK, France), Israel, Canada, Far-east (Japan, Korea, China).



Regional Filing Offices

- **EPC/EPT/EPO (European Patent Office)**

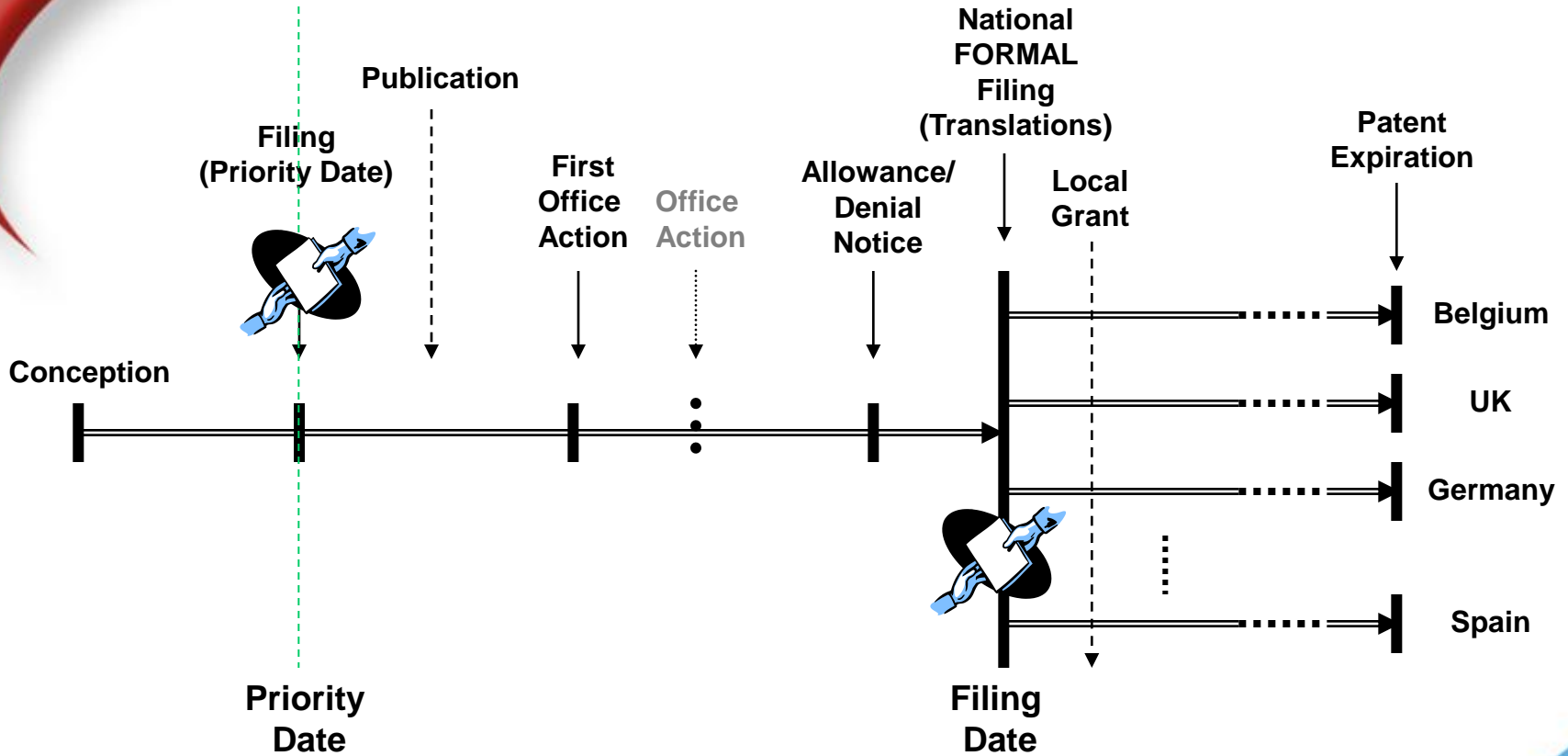


35 member states

**Austria • Belgium • Bulgaria • Croatia •
Cyprus • Czech Republic • Denmark •
Estonia • Finland • France • Germany •
Greece • Hungary • Iceland • Ireland •
Italy • Latvia • Liechtenstein • Lithuania •
Luxembourg • Former Yugoslav
Republic of Macedonia • Malta •
Monaco • Netherlands • Norway •
Poland • Portugal • Romania • Slovakia •
Slovenia • Spain • Sweden •
Switzerland • Turkey • United Kingdom**



Patent Trail



Regional Filing Offices

- **ARIPO**



- 15 English-speaking African countries.
- Botswana, The Gambia, Ghana, Kenya, Lesotho, Malawi, Mozambique, Namibia, Sierra Leone, Sudan, Swaziland, Tanzania, Uganda, Zambia and Zimbabwe.



- **OAPI**



- 16 French-speaking African countries.
- Burkina-Faso, Benin, Congo, Cote d'Ivoire, Cameroon, Gabon, Guinea, Mali, Mauritania, Niger, Senegal, Chad, Togo.



- **GCC**



- 6 Gulf region countries.
- Bahrain, Kuwait, Oman, Qatar, Saudi-Arabia and United Arab Emirates.

- **Eurasian.**

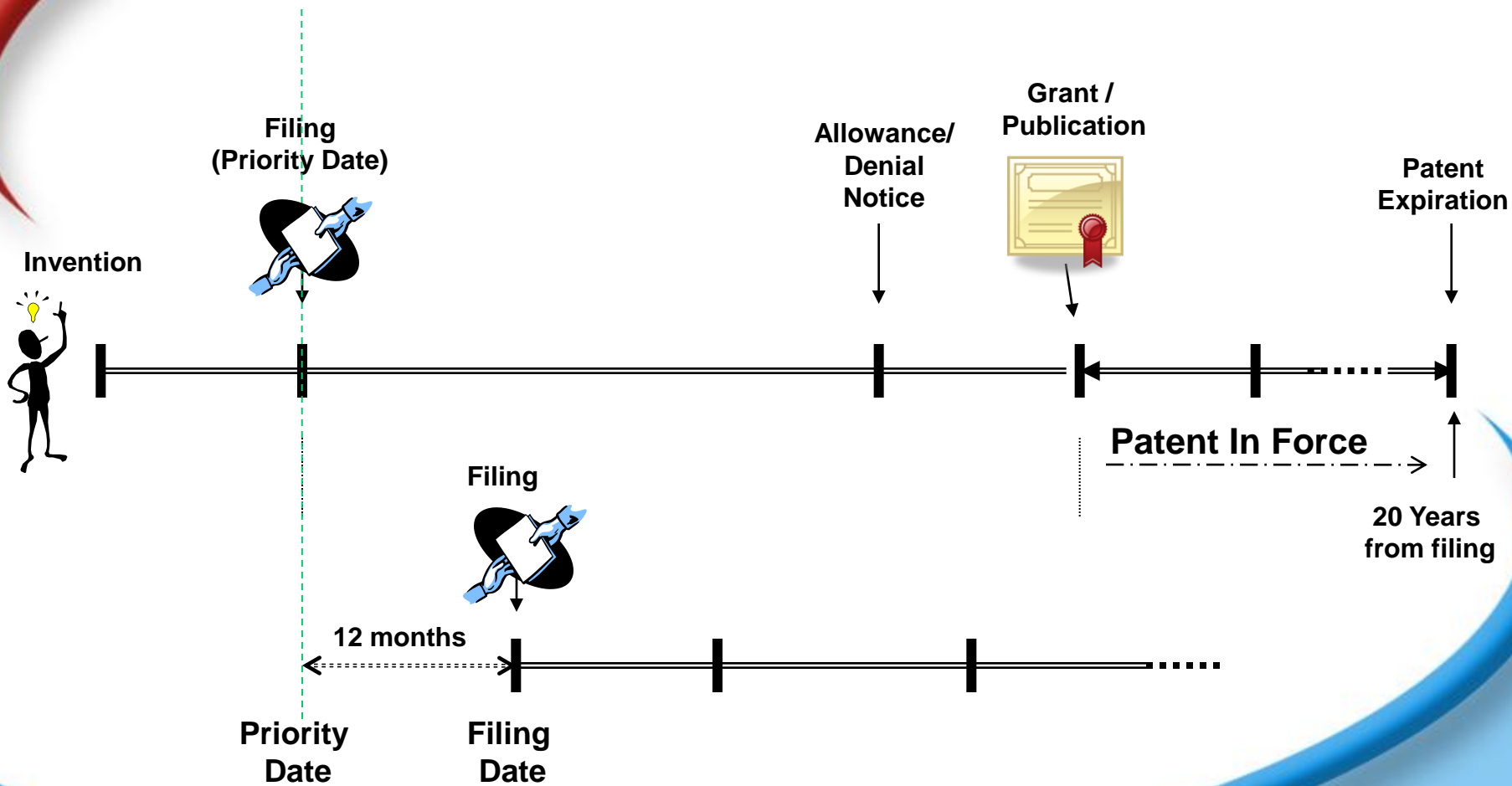


- 9 Former U.S.S.R countries.



- Armenia, Azerbaijan, Belarus, Kyrgyzstan, Kazakhstan, Moldova, Russia, Tajikistan, Turkmenistan.

Paris Convention



Paris Convention

United States Patent [19]	[11] Patent Number:	5,896,389
Kobayashi et al.	[45] Date of Patent:	Apr. 20, 1999

[54] **COMPOUND TRANSMISSION SYSTEM FOR COMPOUNDING LAN AND OTHER COMMUNICATION CHANNELS**

[75] **Inventors: Yoshikazu Kobayashi; Tatsuya Kato, both of Tokyo, Japan**

[73] **Assignee: NEC Corporation, Tokyo, Japan**

[21] **Appl. No.: 08/621,195**

[22] **Filed: Mar. 21, 1996**

[30] **Foreign Application Priority Data**
 Mar. 27, 1995 [JP] Japan 7-066615

[51] **Int. Cl.⁶ H04M 7/00**

[52] **U.S. Cl. 370/527; 370/529; 340/310.07; 455/3.3**

[58] **Field of Search 370/434, 463, 370/527, 529; 340/310.01, 310.07; 455/3.3; 375/257, 258**

Primary Examiner—Chi H. Pham
Assistant Examiner—Ricky Ngo
Attorney, Agent, or Firm—Sughrue, Mion, Zinn, Macpeak & Seas, PLLC

[57] **ABSTRACT**

A compound transmission system compounds signals from a LAN communication device and other communication devices without multiplex them. A first LAN communication device is connected to a second LAN communication device through two line pairs (10, 20). A first signal transmission device such as an exchanger (111) is connected to center taps of windings of transformers (50, 51) on the side of the line pairs to superpose a communication signal from the first signal transmission device on the LAN signal and separate a telephone communication signal from the LAN signal at the center taps. The transformers (50, 51) constitute a first superpose/separate circuit. A second signal transmission

Paris Convention

(19) **United States**

(12) **Patent Application Publication**
Ashida et al.

(10) **Pub. No.: US 2008/0015017 A1**

(43) **Pub. Date: Jan. 17, 2008**

(54) **GAME CONTROLLER**

(75) Inventors: **Kenichiro Ashida**, Kyoto City (JP);
Junji Takamoto, Kyoto City (JP);
Masato Ibuki, Kyoto-City (JP); **Shinji Yamamoto**, Kyoto-City (JP); **Daisuke Kumazaki**, Kyoto-City (JP); **Fumiyoshi Suetake**, Kyoto-City (JP); **Akiko Suga**, Kyoto-City (JP)

Correspondence Address:
NIXON & VANDERHYE, PC
901 NORTH GLEBE ROAD, 11TH FLOOR
ARLINGTON, VA 22203 (US)

(73) Assignee: **Nintendo Co., Ltd.**, Kyoto-shi (JP)

(21) Appl. No.: **11/790,780**

(22) Filed: **Apr. 27, 2007**

(30) Foreign Application Priority Data

May 9, 2006 (JP) 2006-129732

Publication Classification

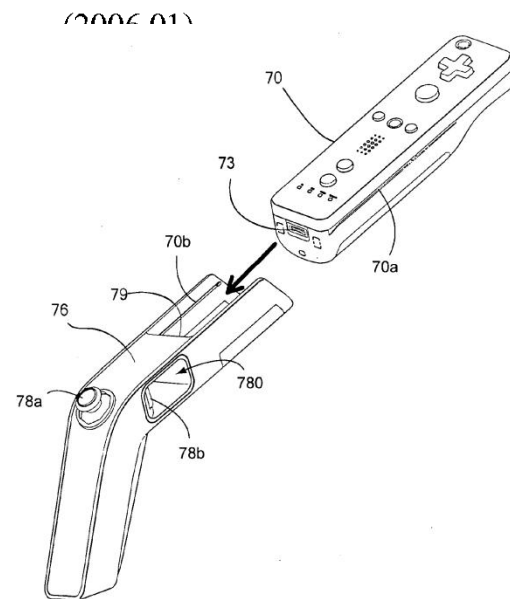
(51) **Int. Cl.**

A63F 9/24

(52) **U.S. Cl.**

(57)

A video game control assembly may include housing formed with : least the top having a and a base portion prov having a shape substan ing in the video game sub-unit with a barrel open slot adapted to re



Paris Convention

US 20050249245A1

(19) **United States**
 (12) **Patent Application Publication** (10) **Pub. No.: US 2005/0249245 A1**
Hazani et al. (43) **Pub. Date: Nov. 10, 2005**

(54) **SYSTEM AND METHOD FOR CARRYING A WIRELESS BASED SIGNAL OVER WIRING**

(75) Inventors: **Ami Hazani**, Ra'anana (IL); **Shlomo Butbul**, Ra'anana (IL); **Yehuda Binder**, Hod Hasharon (IL)

Correspondence Address:
BROWDY AND NEIMARK, P.L.L.C.
624 NINTH STREET, NW
SUITE 300
WASHINGTON, DC 20001-5303 (US)

(73) Assignee: **Serconet Ltd.**, Ra'anana (IL)

(21) Appl. No.: **11/066,442**

(22) Filed: **Feb. 28, 2005**

(30) **Foreign Application Priority Data**

May 6, 2004 (IL) 161869

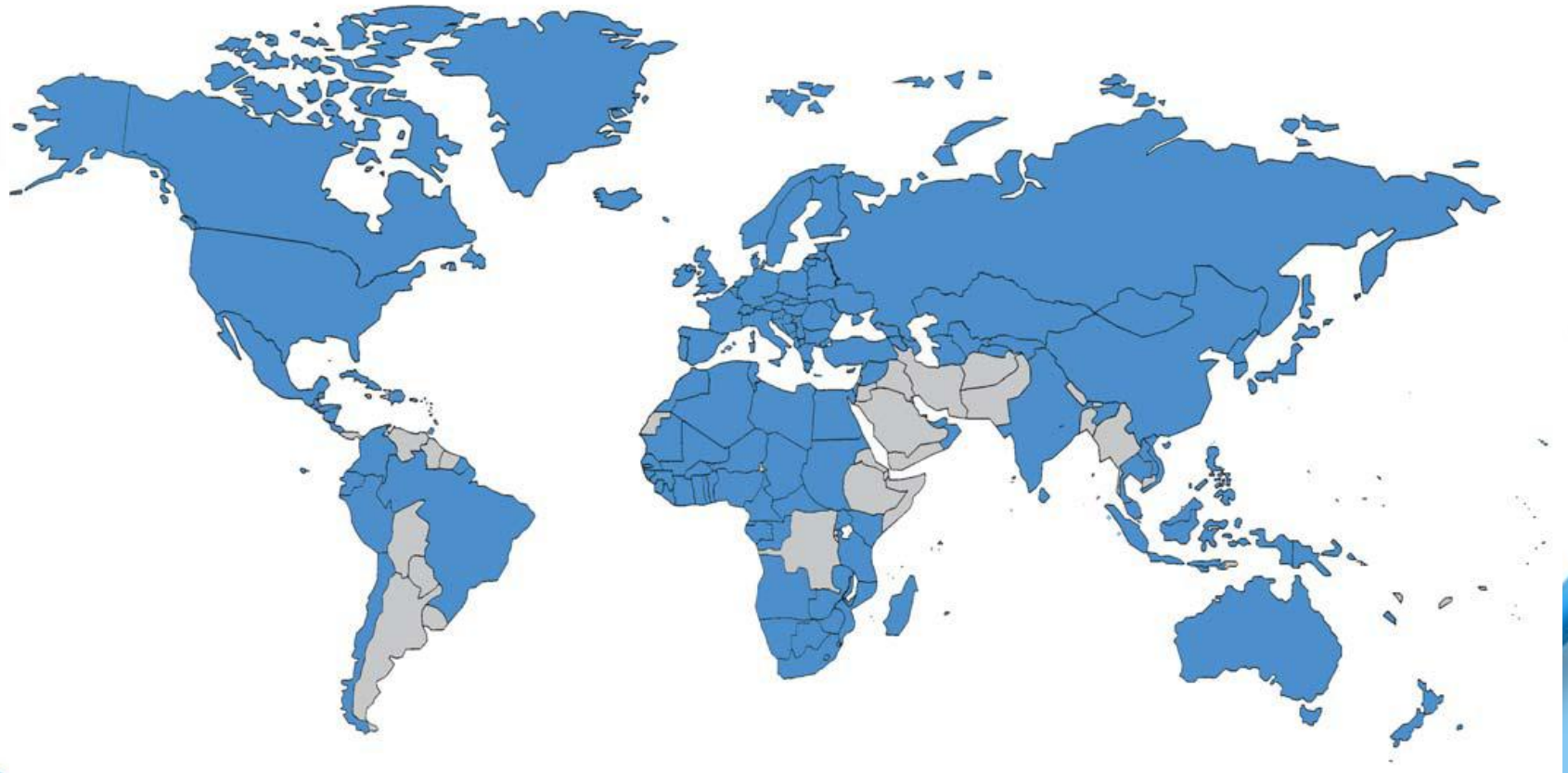
Publication Classification

(51) **Int. Cl.⁷** **H04L 12/66**; H04J 1/00;
 H04H 1/04
 (52) **U.S. Cl.** **370/485**; 370/487

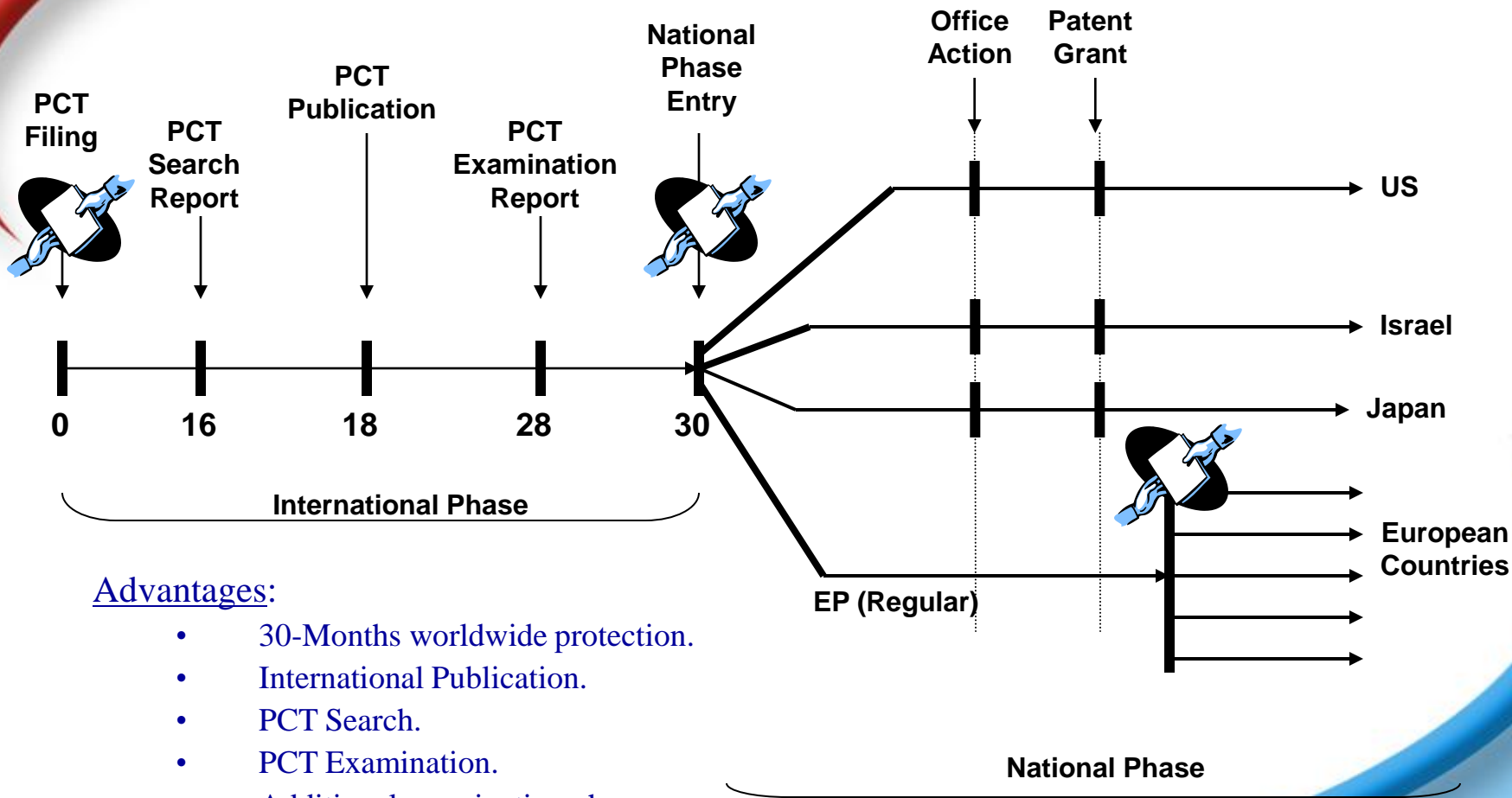
(57) **ABSTRACT**

A device, network and method wherein a standard wireless modem is coupled to wiring for carrying a wireless baseband signal that may be OFDM based, and may be directly generated by the wireless IF modem, or extracted from the modem RF signal. The wiring may be a building utility wiring, such as telephone, AC power or CATV wiring. The baseband signal is carried simultaneously with the utility service signal over the utility wiring using Frequency Division Multiplexing. The device may be enclosed with a data unit, a standalone dedicated enclosure, within an outlet or as a plug-in outlet adapter. Data units may couple the device by a wiring port such as standard data connector, or via wireless connection. The device may be locally powered or via a power signal carried over the wiring. This abstract is not intended to limit or construe the scope of the claims.

Patent Cooperation Treaty (PCT) Countries



PCT Chapter II Route



Advantages:

- 30-Months worldwide protection.
- International Publication.
- PCT Search.
- PCT Examination.
- Additional examination phases.
- Automatic European approval.

PCT

US 2005/0129069 A1

(19) **United States**
 (12) **Patent Application Publication**
Binder

(10) **Pub. No.: US 2005/0129069 A1**
 (43) **Pub. Date: Jun. 16, 2005**

(54) **PRIVATE TELEPHONE NETWORK
 CONNECTED TO MORE THAN ONE
 PUBLIC NETWORK**

(52) **U.S. Cl. 370/493**

(76) **Inventor: Yehuda Binder, Hasharon (IL)**

(57) **ABSTRACT**

Correspondence Address:
BROWDY AND NEIMARK, P.L.L.C.
624 NINTH STREET, NW
SUITE 300
WASHINGTON, DC 20001-5303 (US)

In conjunction with a data communication network (53) carrying multiple telephony signals and allowing for connection of telephone sets (17), a system and method in which two external feeders (55a, 55b) connect to the data network (53) at two distinct points via two distinct devices. The data network can be based on dedicated wiring or can use existing in premises medium such as telephone, powerlines or CATV wiring. In the latter case, the wiring can still carry the original service for which it was installed. The external telephone connections can be based on the traditional PSTN, CATV network, cellular telephone network or any other telephone service provider network, using specific adapter for any medium used. In the case of connection to a POTS telephone signal, VoIP gateway (or any other converter) is required.

(21) **Appl. No.: 10/492,411**

(22) **PCT Filed: Feb. 24, 2004**

(86) **PCT No.: PCT/IL04/00178**

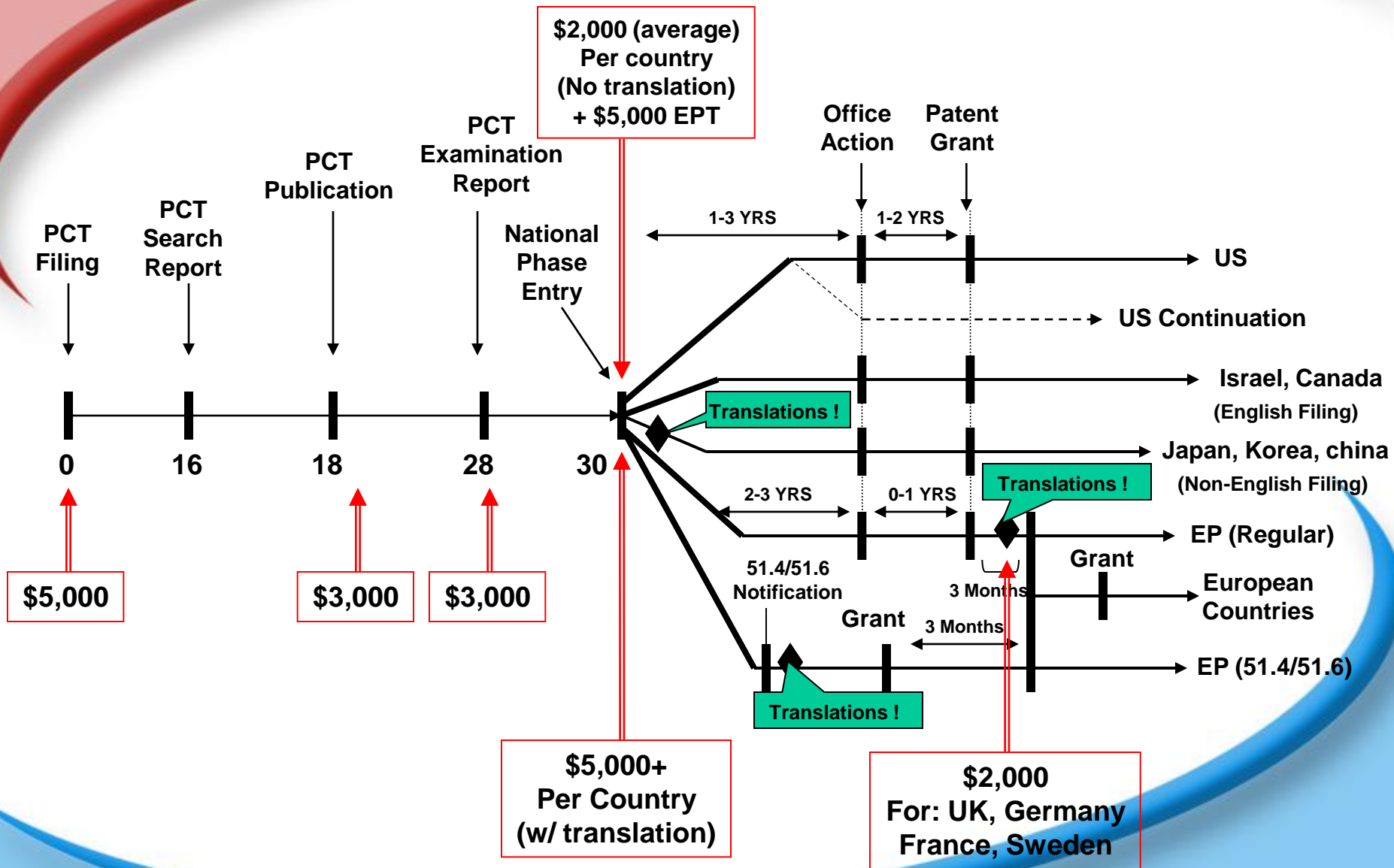
(30) **Foreign Application Priority Data**

Mar. 13, 2003 (IL) 154921

Publication Classification

(51) **Int. Cl.⁷ H04J 1/02**

Expenses

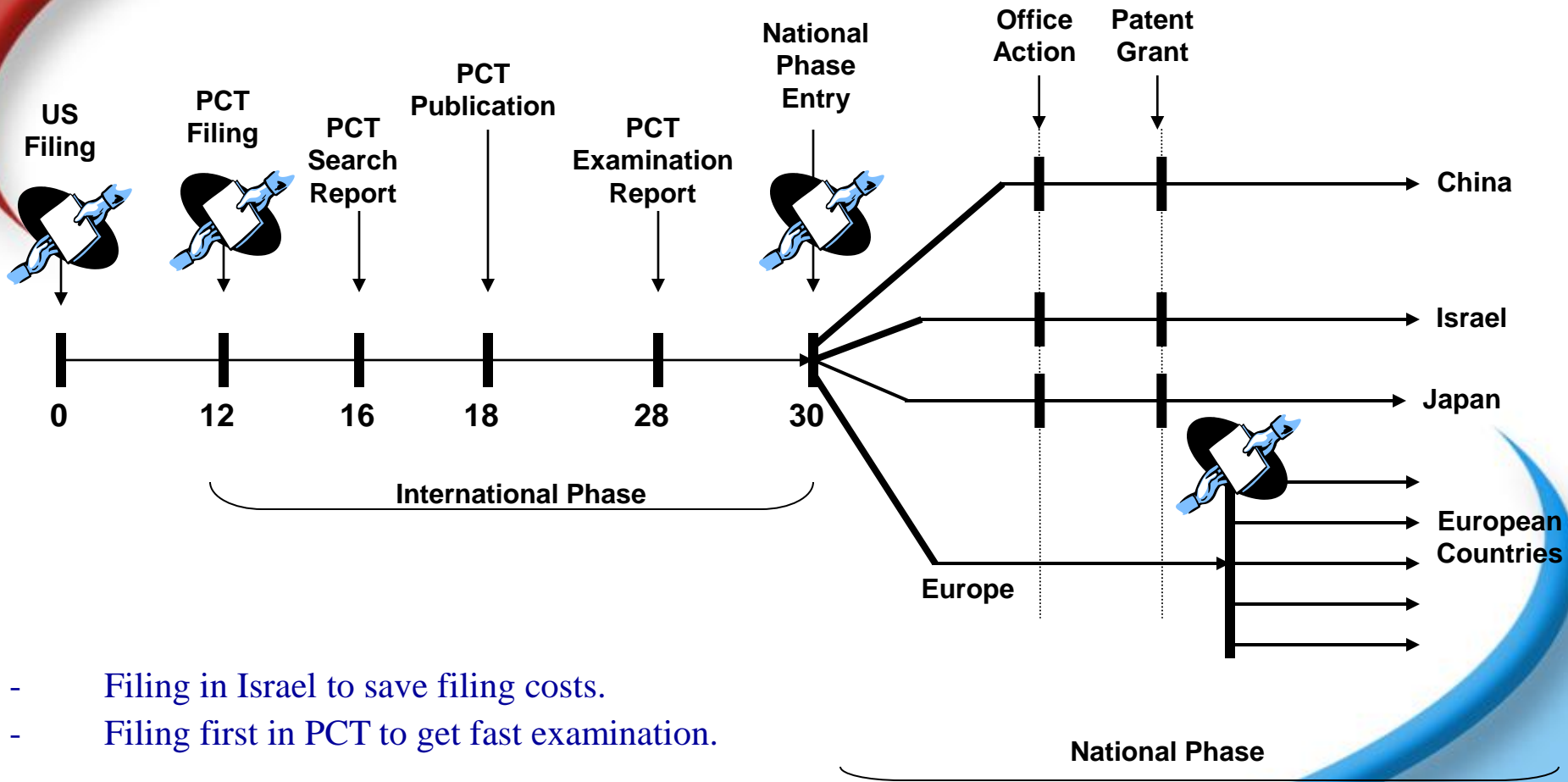


Patent Associated Costs (Per Country)

- **Search / Clearance opinion – \$5-10K**
- **Application preparation - \$5-50K**
- **Translation - \$10-15K**
- **Filing Fees – \$2-3K**
- **Declarations / Assignments / IDS - \$1-2K**
- **Response to Office Action - \$2-10K**
- **Issue Fee – \$1-2K**
- **Maintenance Fees - \$1-2K**



Suggested Trail



Suggested Trail

(12) **United States Patent Binder**

(10) **Patent No.:** US 7,522,615 B2
 (45) **Date of Patent:** Apr. 21, 2009

(54) **ADDRESSABLE OUTLET, AND A NETWORK USING SAME**

3,872,319 A 3/1975 Platzter
 3,959,772 A 5/1976 Wakasa et al.
 4,272,759 A 6/1981 Handy

(75) Inventor: **Yehuda Binder**, Hod Hasharon (IL)

(73) Assignee: **Serconet, Ltd.**, Ra'anana (IL)

(*) Notice: Subject to any disclaimer, the term of this patent is extended or adjusted under 35 U.S.C. 154(b) by 1287 days.

(Continued)

FOREIGN PATENT DOCUMENTS

EP 0 200 016 A2 11/1986

(21) Appl. No.: **10/491,989**

(22) PCT Filed: **Nov. 12, 2003**

(Continued)

(86) PCT No.: **PCT/IL03/00948**

OTHER PUBLICATIONS

§ 371 (c)(1),
 (2), (4) Date: **Apr. 7, 2004**

Grayson Evans, *The CEBUs Standard User's Guide*, 1st edition, May 1996, 317 pages.

(Continued)

(87) PCT Pub. No.: **WO2004/045151**

PCT Pub. Date: **May 27, 2004**

Primary Examiner—Sam Bhattacharya
 (74) *Attorney, Agent, or Firm*—Browdy and Neimark, P.L.L.C.

(65) **Prior Publication Data**

US 2005/0025162 A1 Feb. 3, 2005

(57) **ABSTRACT**

(30) **Foreign Application Priority Data**

Nov. 13, 2002 (IL) 152824

An addressable outlet for use as part of local area network based on wiring installed in a building, such as telephone, electrical, cable television, dedicated wiring, and the like. The use of such wiring for data communications networks in addition to the wiring's primary usage creates a need for ways of determining the condition of the network and monitoring this information remotely. Network condition includes such

(51) **Int. Cl.**
H04L 12/28 (2006.01)

(52) **U.S. Cl.** **370/401; 370/419**

(58) **Field of Classification Search** 370/401

Thank You

(For copies contact: elissa@openu.ac.il)