

Figure 3

Broadening the invention

- Broaden definitions by eliminating words / widening coverage
- Example: Screw: *“a fastener with a tapered threaded shank and a slotted head”*
- Broadening examples: *“Any metal fastener”*, *“Any slotted head fastener”*, *“any fastener”*.
- *E.G.* glue, Velcro, snap, ...
 - Still new and inventive
 - **Benefits may be reduced**
 - May be expensive or even less practical

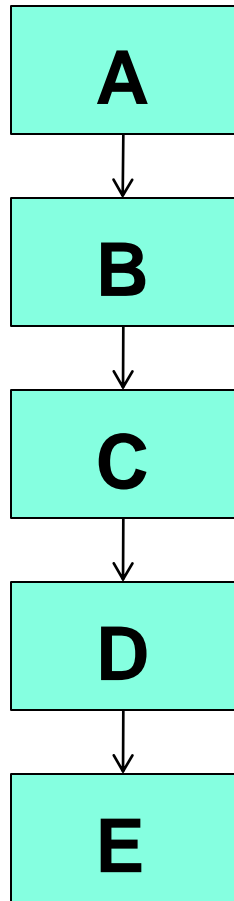


Figure 2

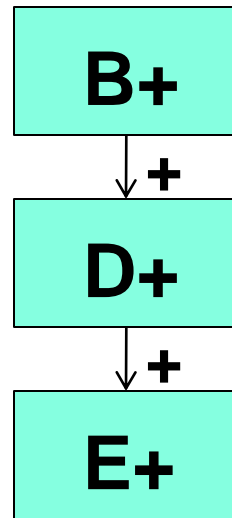
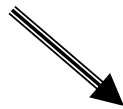


Figure 3

Figure 3

- May not be intuitive
- Few Figure 3 may be available = Multiple inventions
- Describe Figure 3

Figure 3

Stating the invention (claims basis)

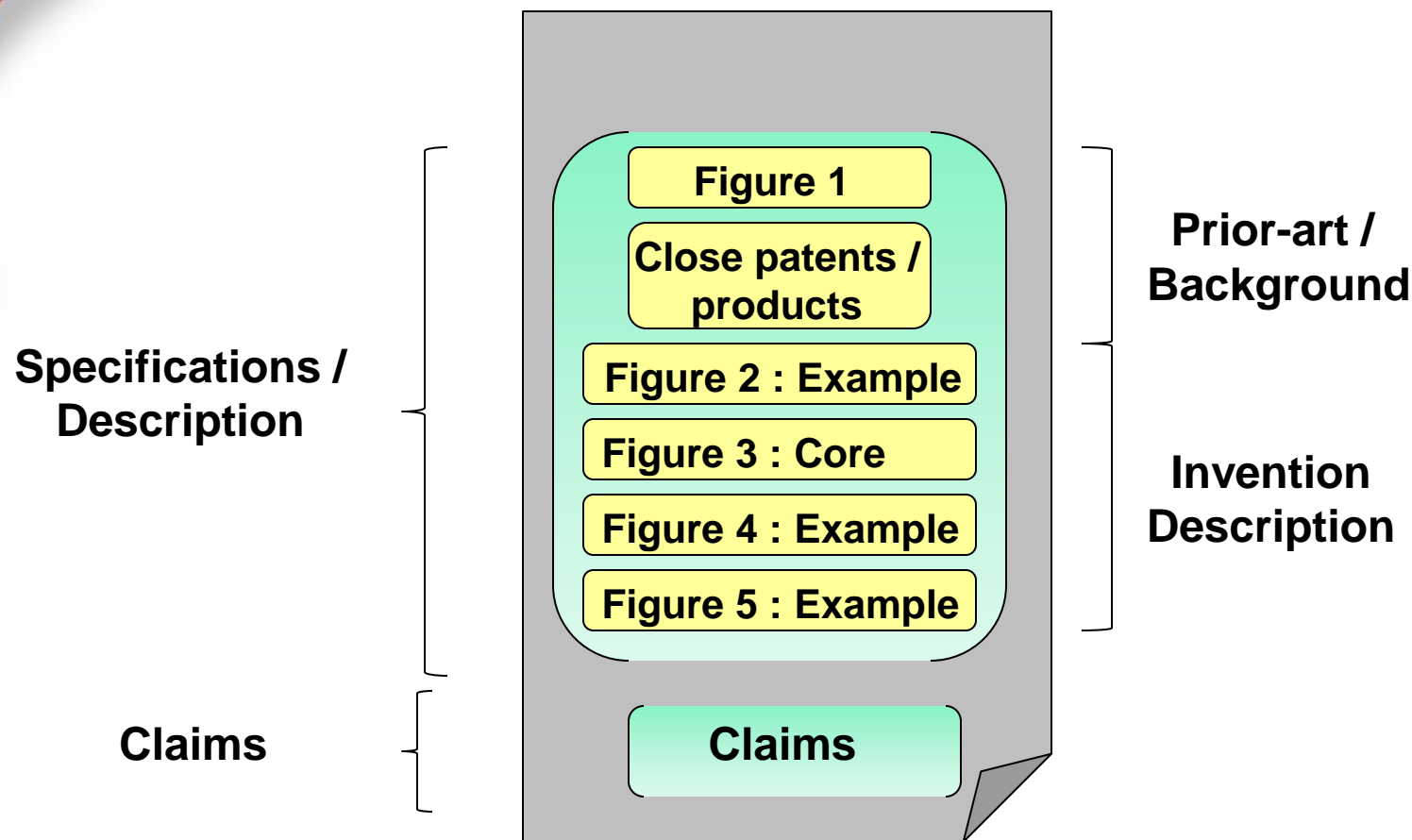
- Based on Figure 3, write the **MINIMUM** invention description, as follows (structure only):
 - Item XXX doing YYY and ZZZ-ing to AAA
 - Item AAA doing BBB and CCC-ing to DDD
 - ...
 - ...
- **MINIMUM WORDS** still expressing the invention.
- [Will be used as the basis for claim #1]

Figures 4, 5, 6...

More Applications / Inventions

- May not be intuitive
- Few Figure 3 may be available = Multiple inventions
- Repeat step#1 for Figure 3

Utility Patent



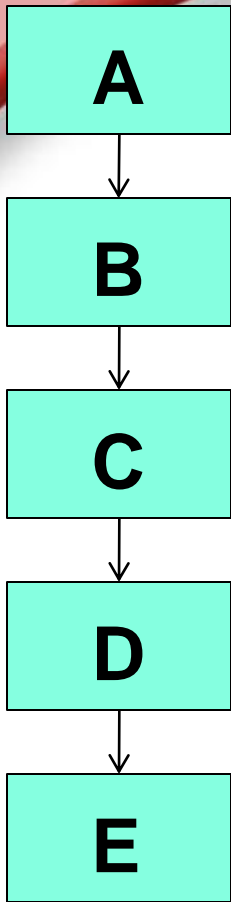


Figure 2

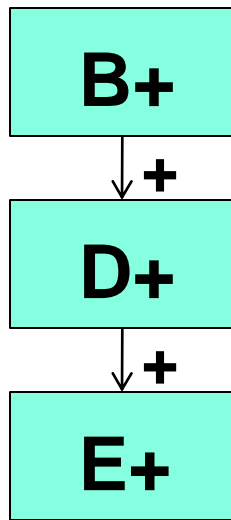
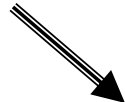


Figure 3

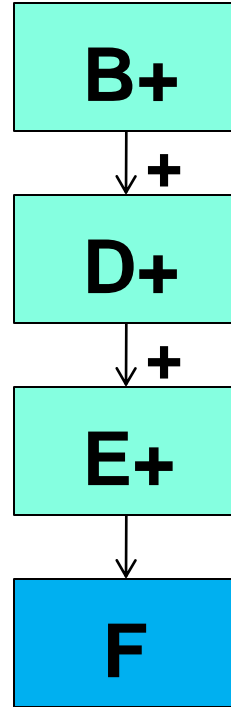


Figure 4

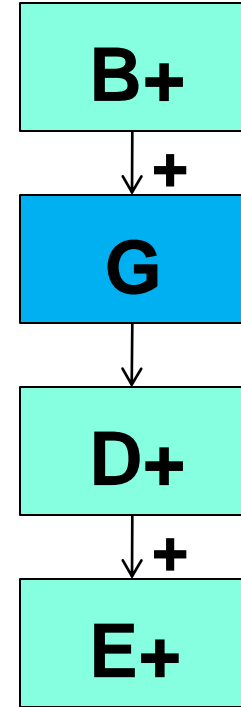


Figure 5

Expansion

- More applications (preferred - Figure for each)
- Upgrading to next level
- Substitution
- Magnifying benefits
- Go to extreme – supercomputer / no-computer, ...
- Magnify / minify components
- Combinations: mechanical, electrical, functional....
- Doubling / multiplying: back-up, alternate, in concert...
- Splitting
- Re-arrange
- Reverse
-

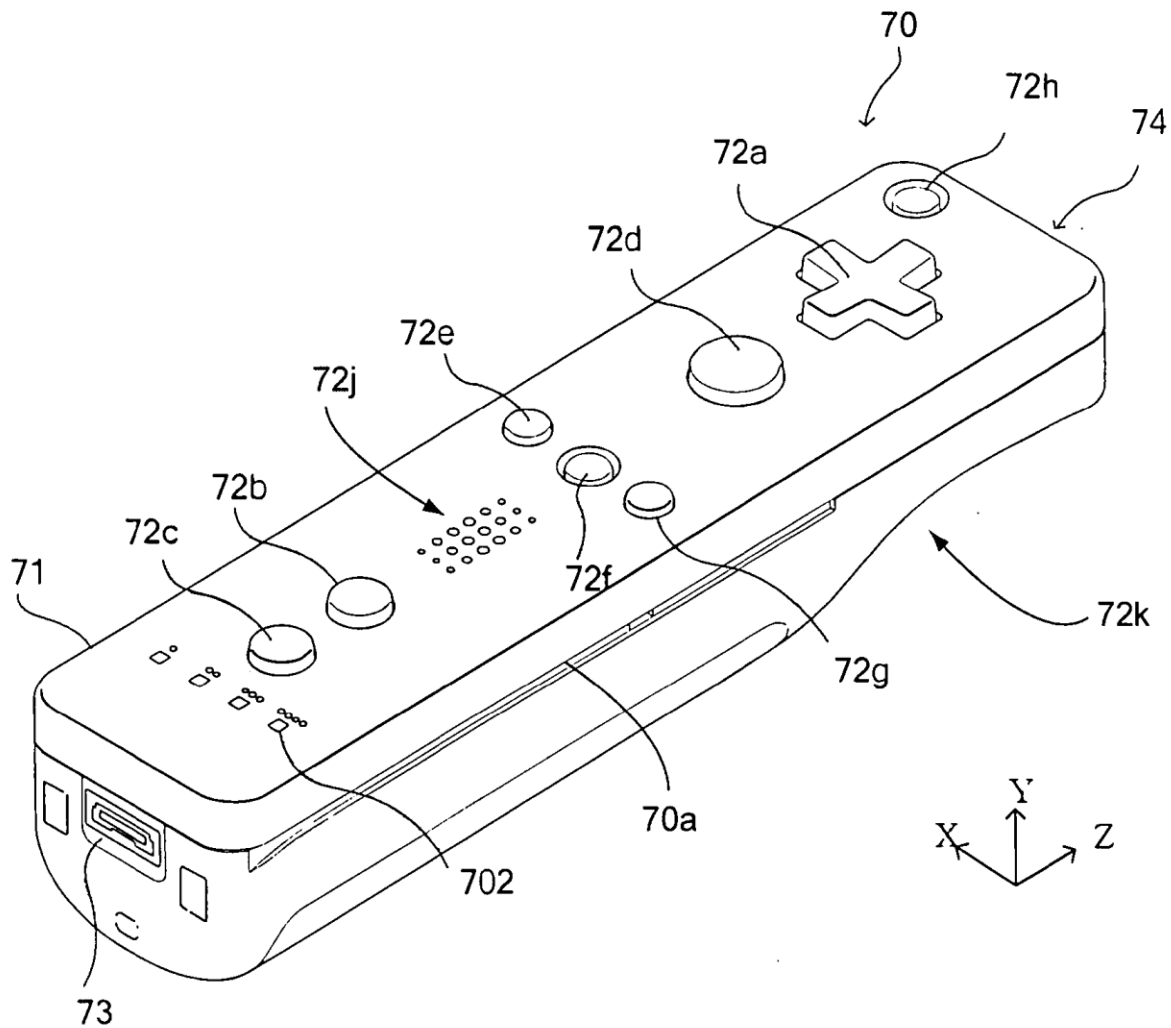
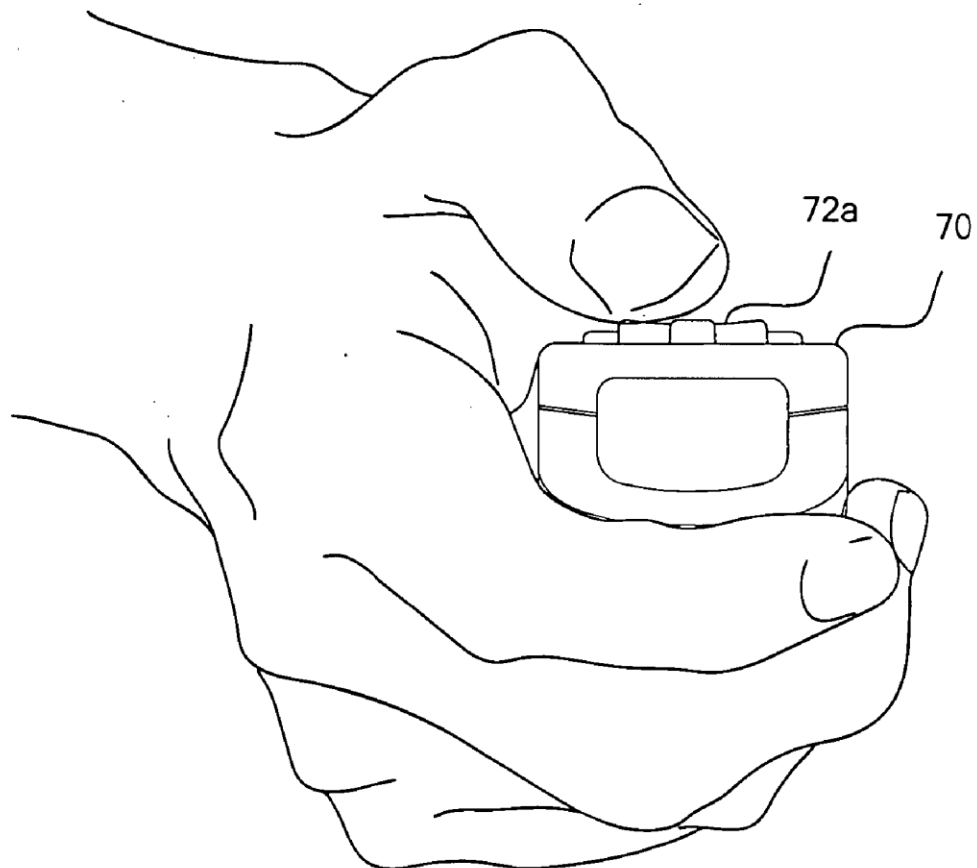


FIG. 5

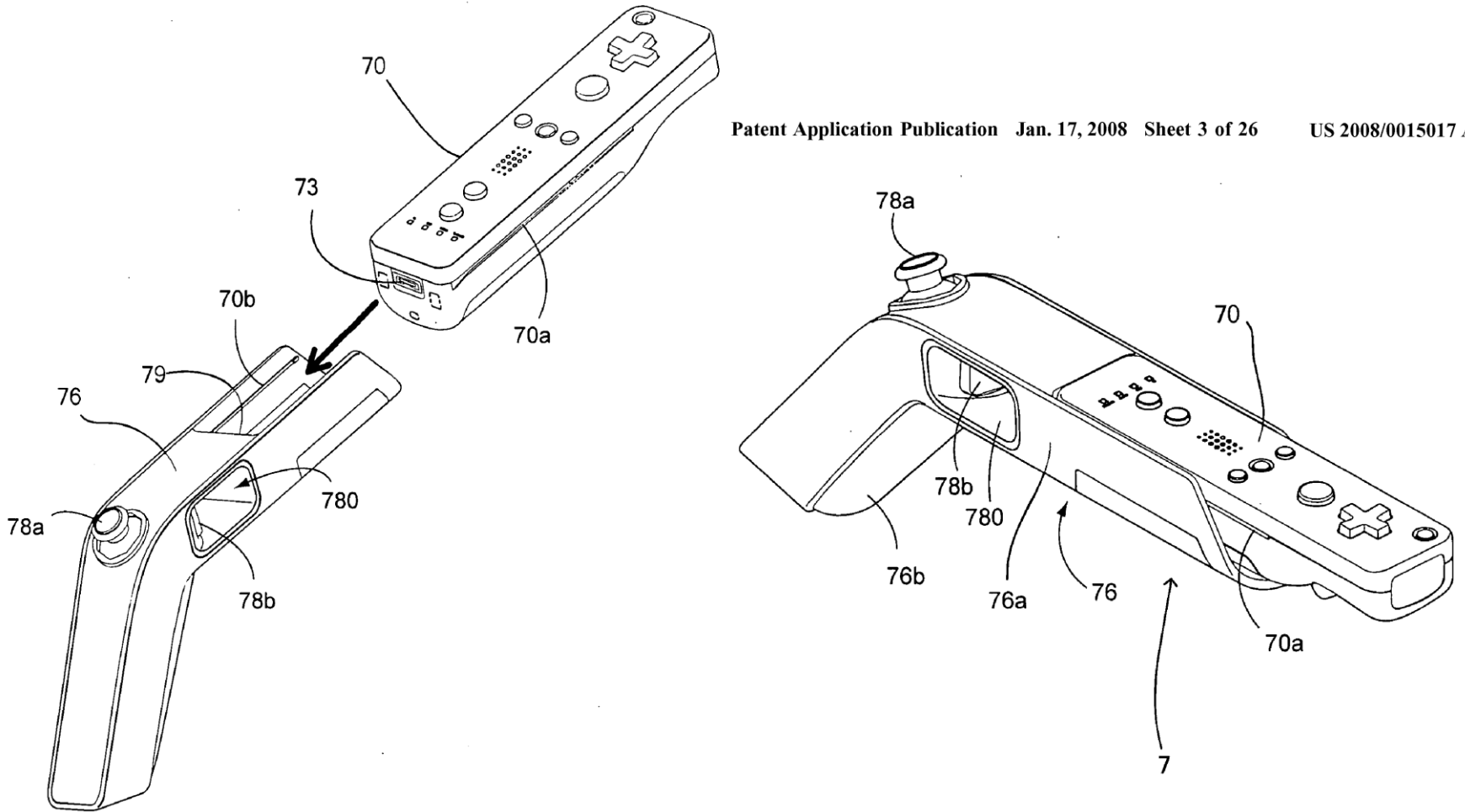
Expansion

Patent Application Publication Jan. 17, 2008 Sheet 15 of 26 US 2008/0015017 A1



Expansion

Patent Application Publication Jan. 17, 2008 Sheet 3 of 26 US 2008/0015017 A1



Expansion

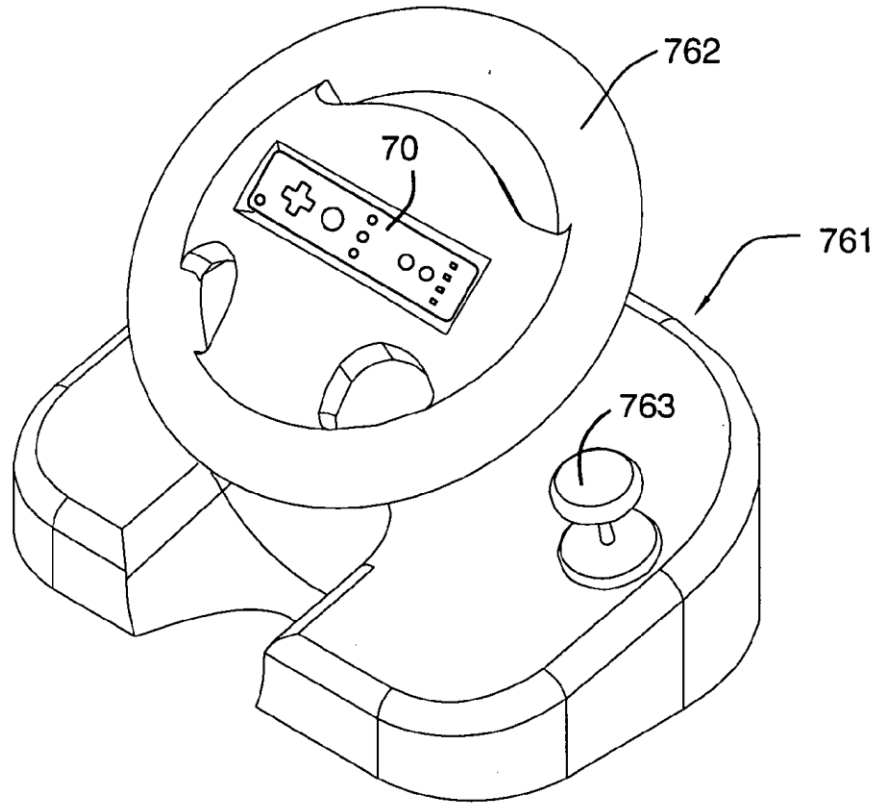


FIG. 17

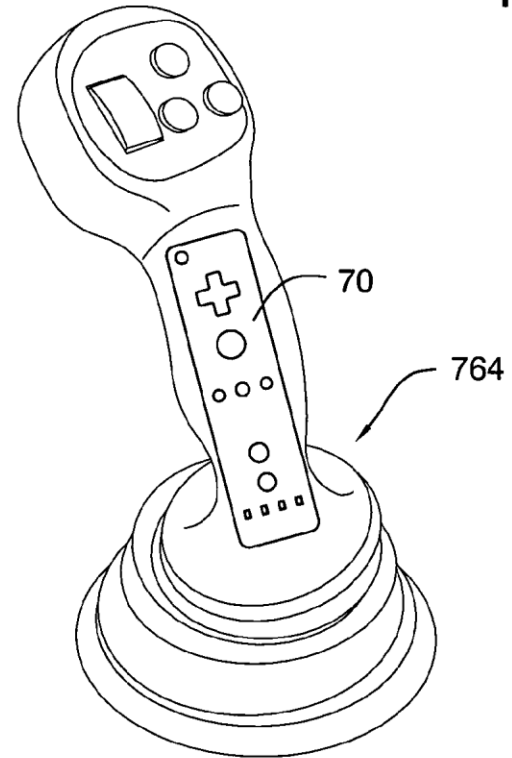


FIG. 18

Expansion

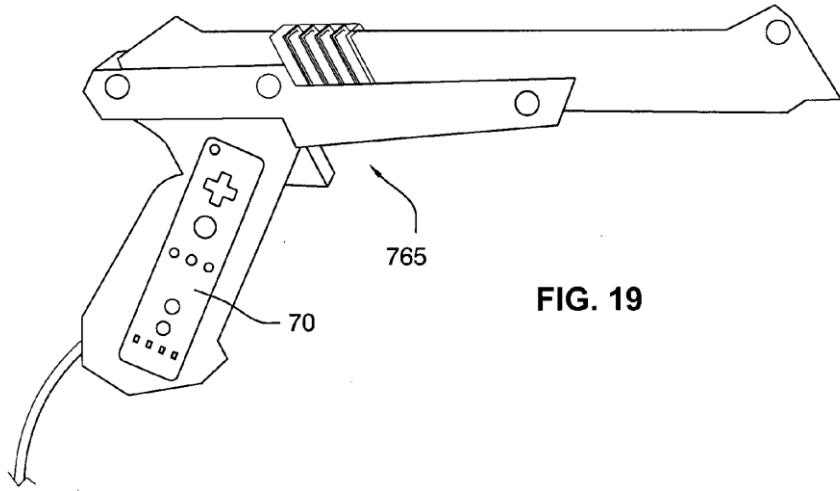


FIG. 19

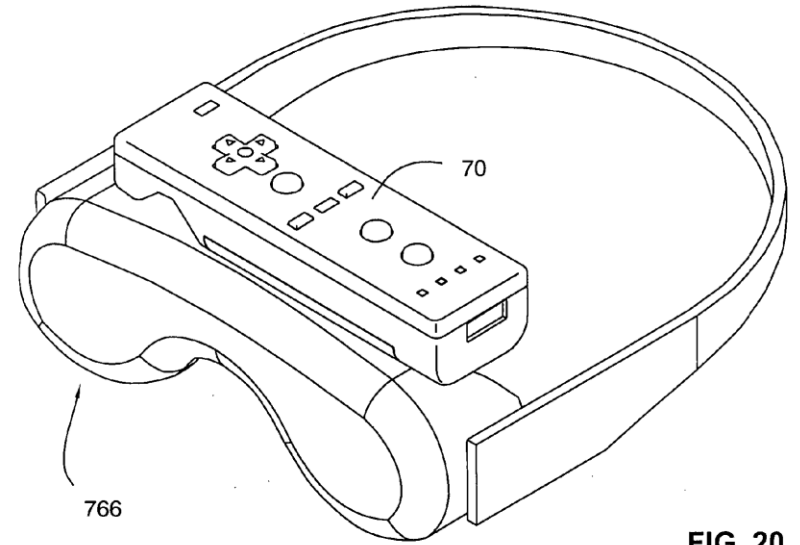


FIG. 20

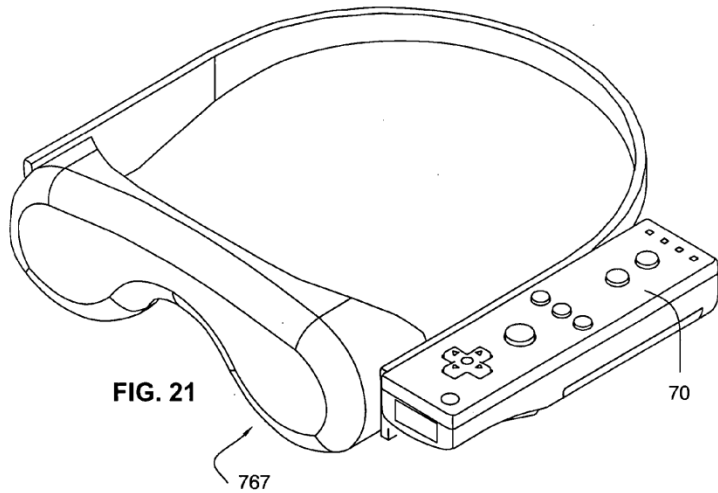


FIG. 21

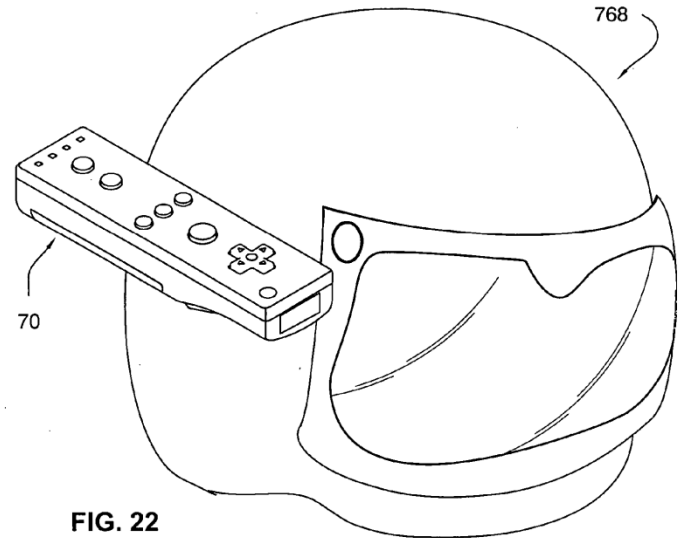


FIG. 22

Expansion

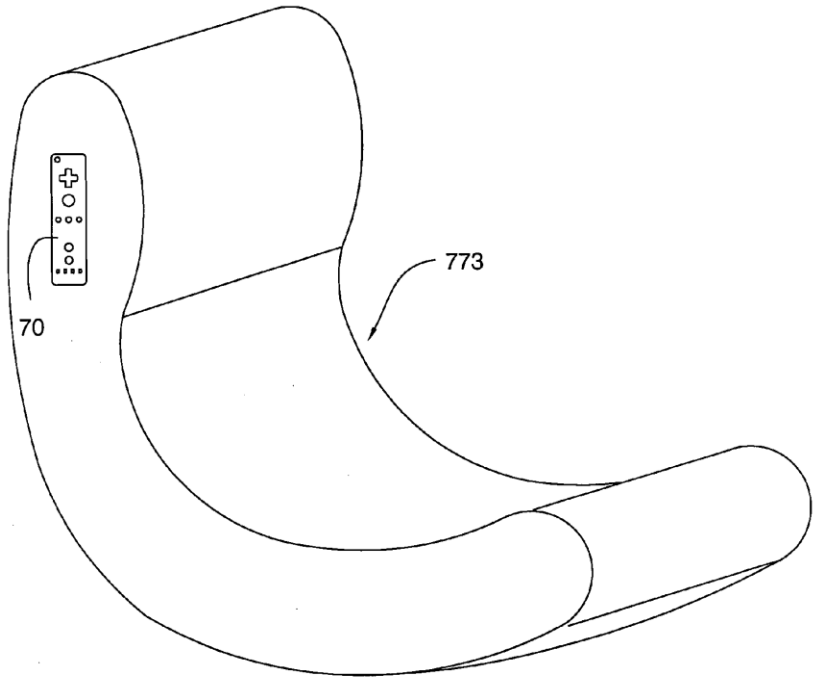


FIG. 24

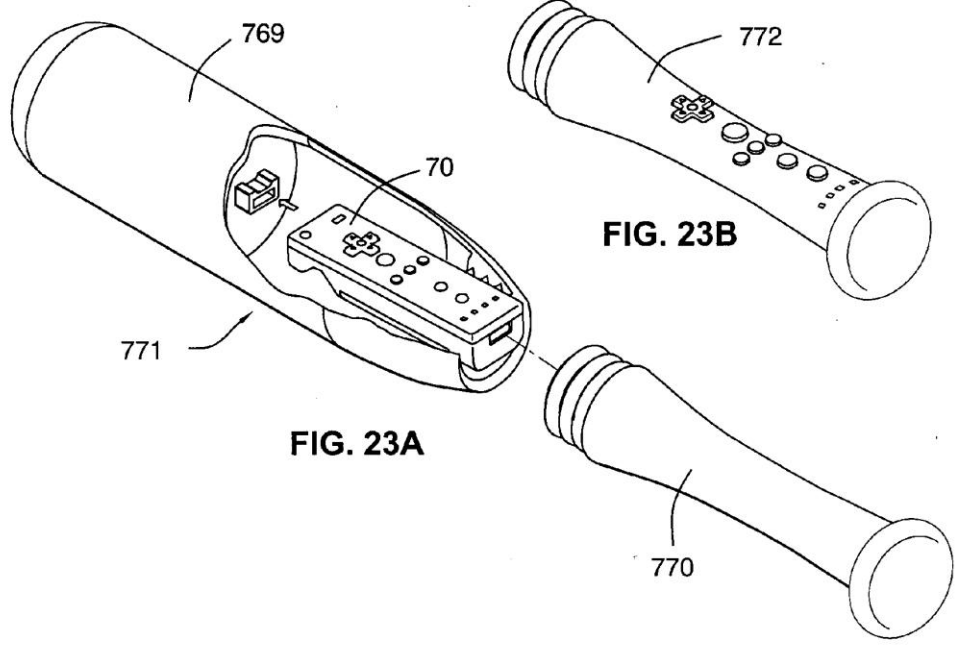
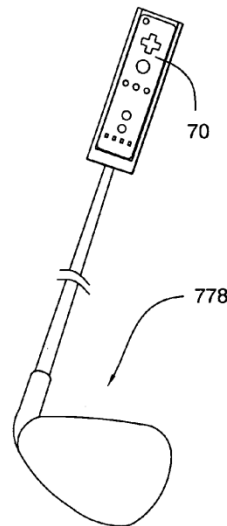
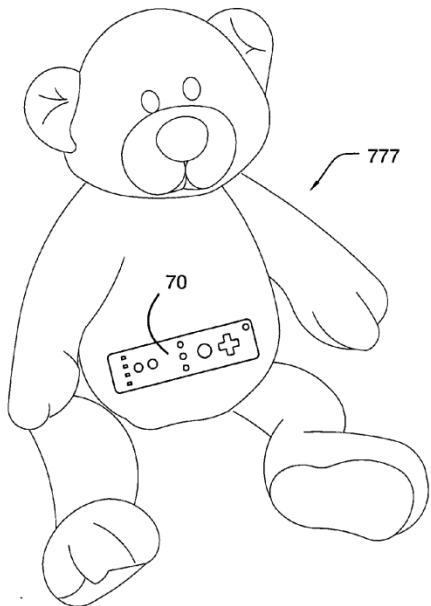
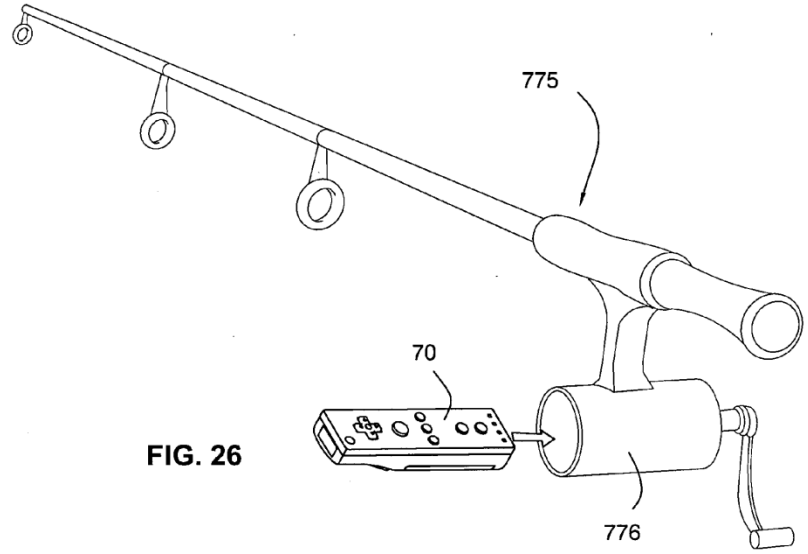
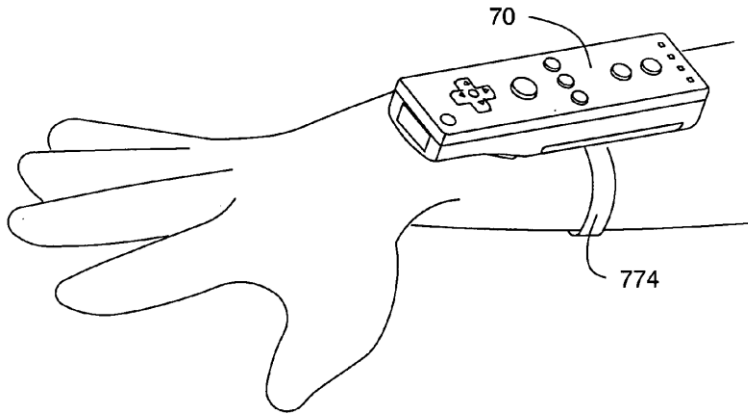


FIG. 23A

FIG. 23B

770

Expansion



Expansion

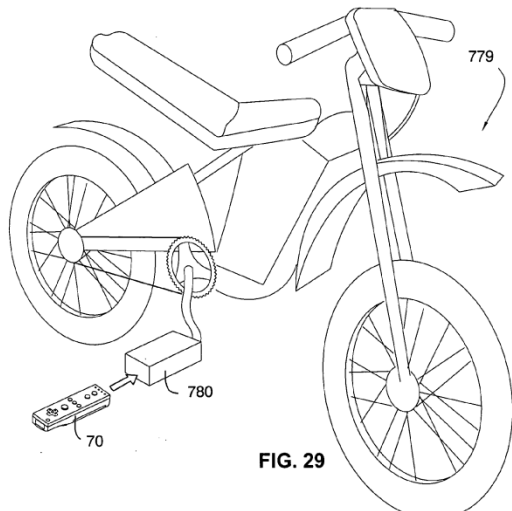


FIG. 29

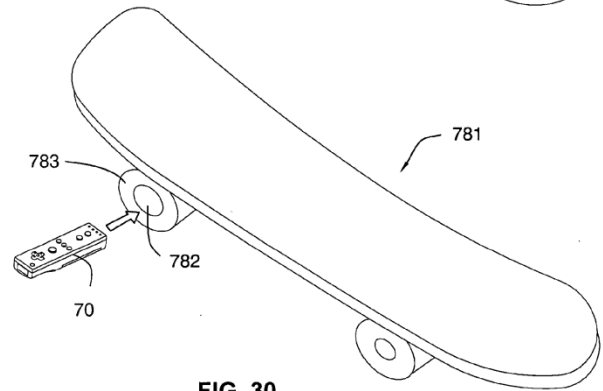


FIG. 30

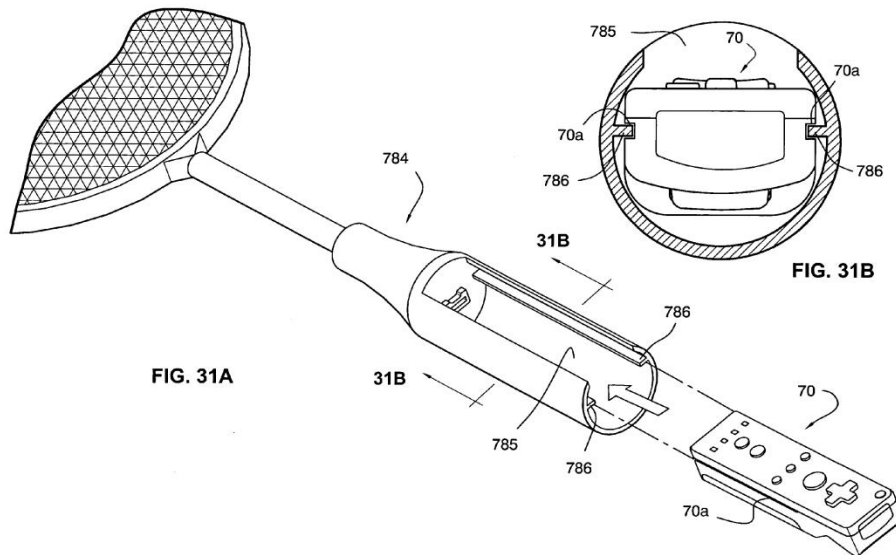
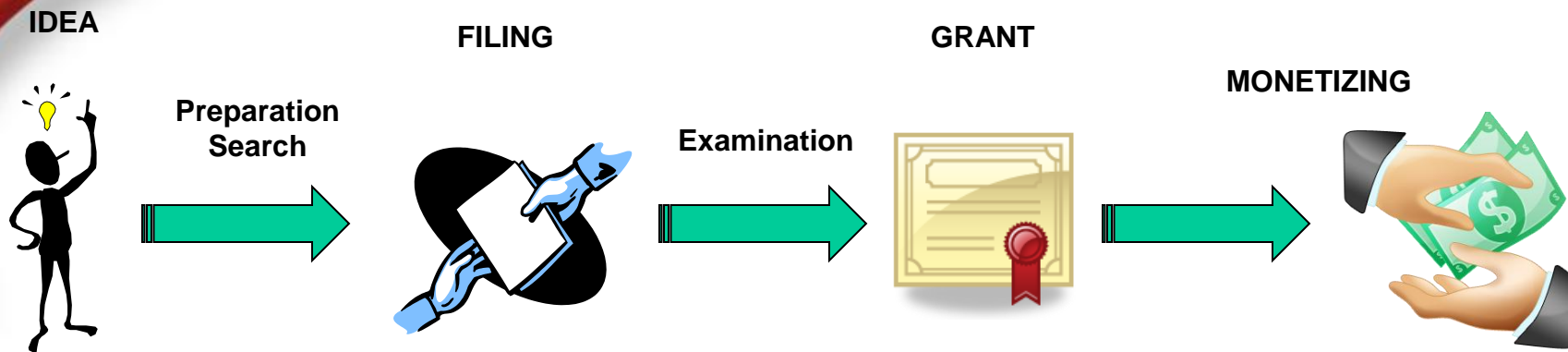


FIG. 31A

FIG. 31B

Workshop Structure

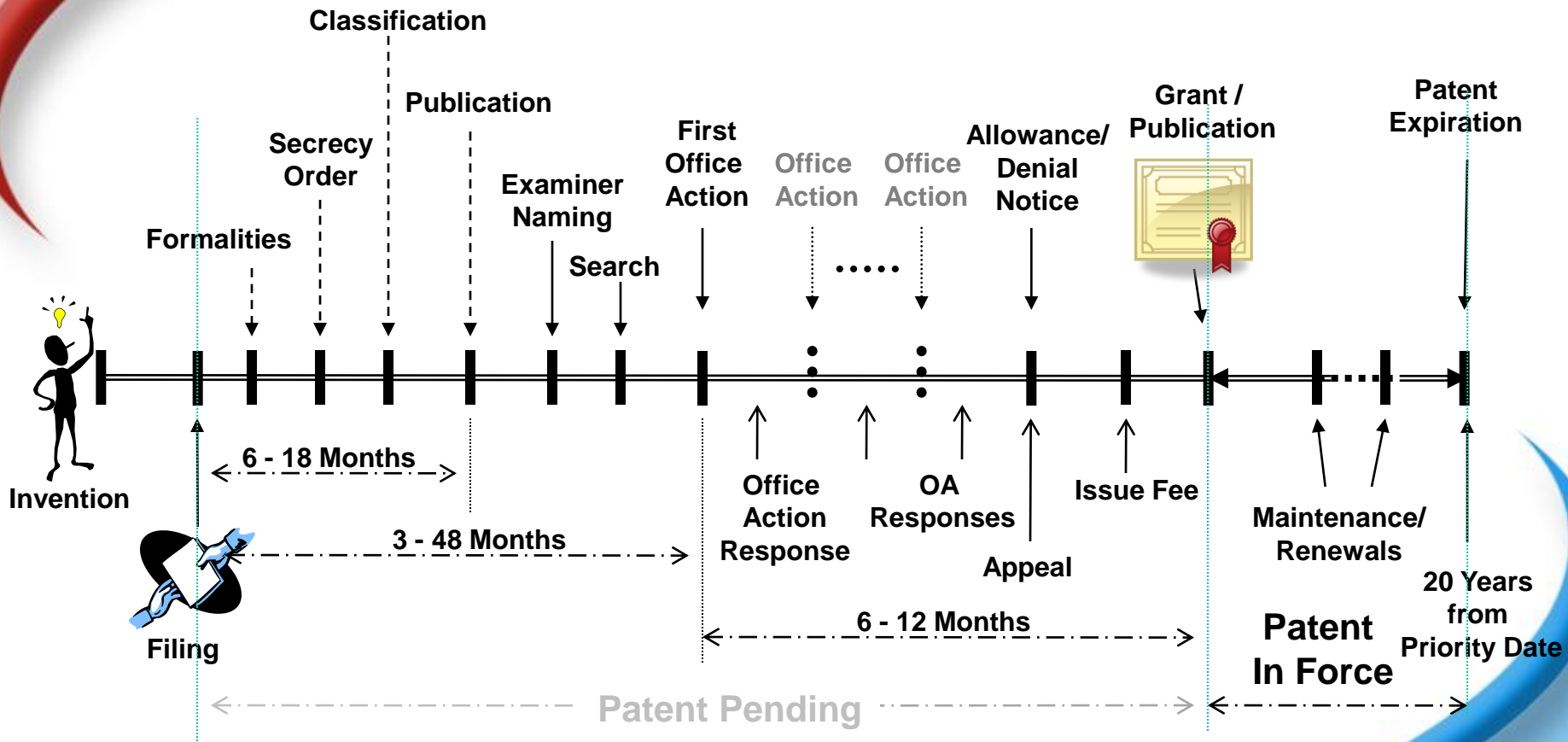


Patent Infringement

- **Infringement:** *A product containing ALL elements set out in one of the claims.*
 - **Literal Infringement:** The product containing EVERY element set out in a claim.
 - **By Doctrine of Equivalents** (against ‘design around’, ‘unscrupulous infringer’): “... performs substantially the same function in substantially the same way to achieve substantially the same result”.

• בעל פטנט זכאי למנוע כל אדם זולתו מנצל בלי רשותו או שלא כדין את האמצאה שניתן עליה הפטנט, בין בדרך המוגדרת בתביעות ובין בדרך דומה לכך שיש בה, לנוכח המוגדר באותן התביעות, עיקר האמצאה שהוא נושא הפטנט (להלן - הפרה).

Patent Trail



Filing

- Inventor or patent attorney (preferred)
- Receipt with Application Number
- Filing Date = Priority Date
- Specification freeze !!!! (ONLY assignee name and claims may be changed)
- ‘Patent Pending’ status

Identifying the
patent application

Patentability

United States Patent [19]
Hartman

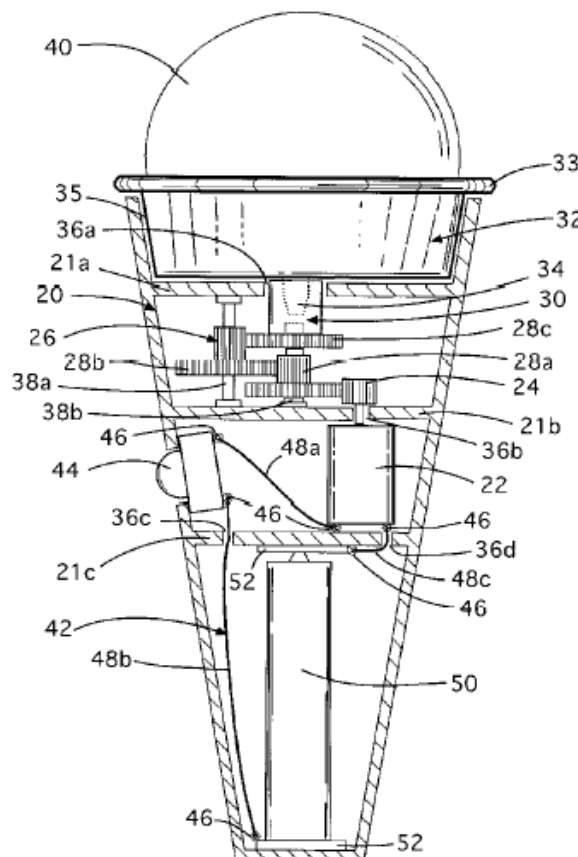
[11] **Patent Number:** **5,971,829**
 [45] **Date of Patent:** **Oct. 26, 1999**

[54] **MOTORIZED ICE CREAM CONE**

[76] **Inventor:** **Richard B. Hartman**, P.O. Box 228,
 Issaquah, Wash. 98027

[21] **Appl. No.:** **09/036,398**

[22] **Filed:** **Mar. 6, 1998**



(12) **United States Patent**
Fadell et al.

(10) **Patent No.:** **US 7,627,343 B2**
 (45) **Date of Patent:** ***Dec. 1, 2009**

(54) **MEDIA PLAYER SYSTEM**

(75) Inventors: **Anthony M. Fadell**, Portola Valley, CA (US); **Stephen Paul Zadesky**, San Carlos, CA (US); **John Benjamin Filson**, Los Altos, CA (US)

(73) Assignee: **Apple Inc.**, Cupertino, CA (US)

(*) Notice: Subject to any disclaimer, the term of this patent is extended or adjusted under 35 U.S.C. 154(b) by 427 days.

This patent is subject to a terminal disclaimer.

(21) **Appl. No.: 10/423,490**

(22) **Filed: Apr. 25, 2003**

OTHER PUBLICATIONS

Co-Pending U.S. Appl. No. 11/875,661; Co-Pending U.S. Appl. No. 12/238,278; Co-Pending U.S. Appl. No. 12/394,459; Co-Pending U.S. Appl. No. 12/418,439; Co-Pending U.S. Appl. No. 11/875,638.*

(Continued)

Primary Examiner—George Eng

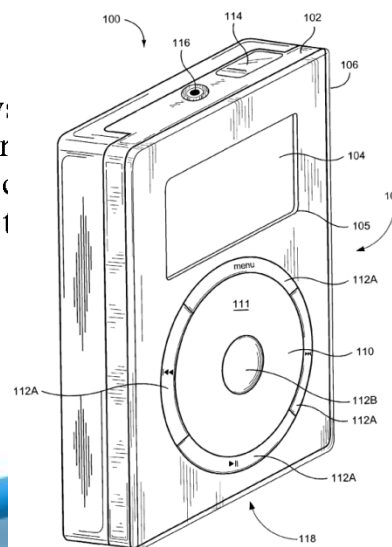
Assistant Examiner—Brandon J Miller

(74) *Attorney, Agent, or Firm*—Townsend and Townsend and Crew LLP

(57)

A media player system per
 player system per
 media player to c
 Another aspect of t

ABSTRACT



of the media
 that allows a
 dia devices.
 ns to a wire-

(12) **United States Patent**
Brusie

(10) Patent No.: **US 6,761,862 B1**

(45) Date of Patent: **Jul. 13, 2004**

(54) **METHOD OF DETERMINING THE EXTENT TO WHICH A NICKEL STRUCTURE HAS BEEN ATTACHED BY A FLUORINE-CONTAINING GAS**

(75) Inventor: **James P. Brusie**, Oak Ridge, TN (US)

(73) Assignee: **The United States of America as represented by the United States Department of Energy**, Washington, DC (US)

(*) Notice: Subject to any disclaimer, the term of this patent is extended or adjusted under 35 U.S.C. 154(b) by 0 days.

(21) Appl. No.: **02/618,355**

(22) Filed: **Sep. 24, 1945**

(51) Int. Cl.⁷ **C01G 53/00**

(52) U.S. Cl. **423/149; 423/258; 376/409**

(58) Field of Search **23/267; 423/149, 423/258; 376/409**

OTHER PUBLICATIONS

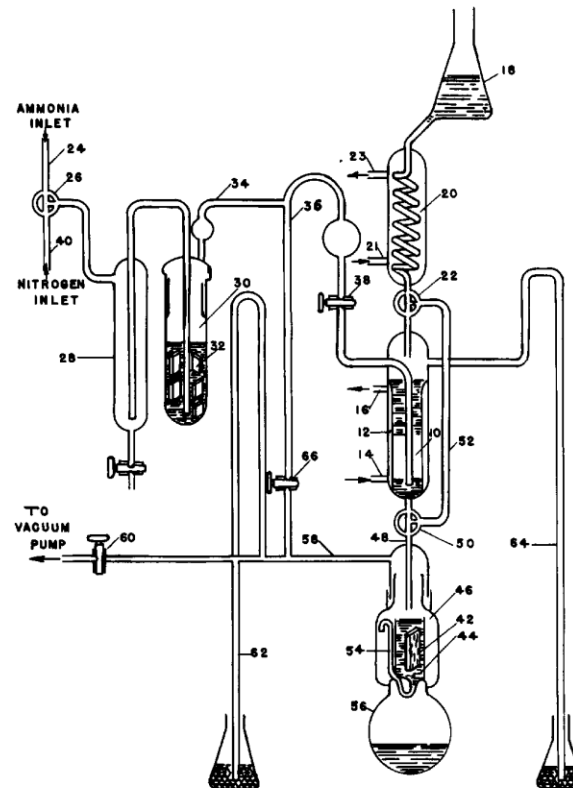
Mellor, "Inorganic and Theoretical Chemistry", vol. 15, p. 406, Published by Longmans, Green, and Co., London, (1936) Copy in Division 59.

Primary Examiner—Jack Keith

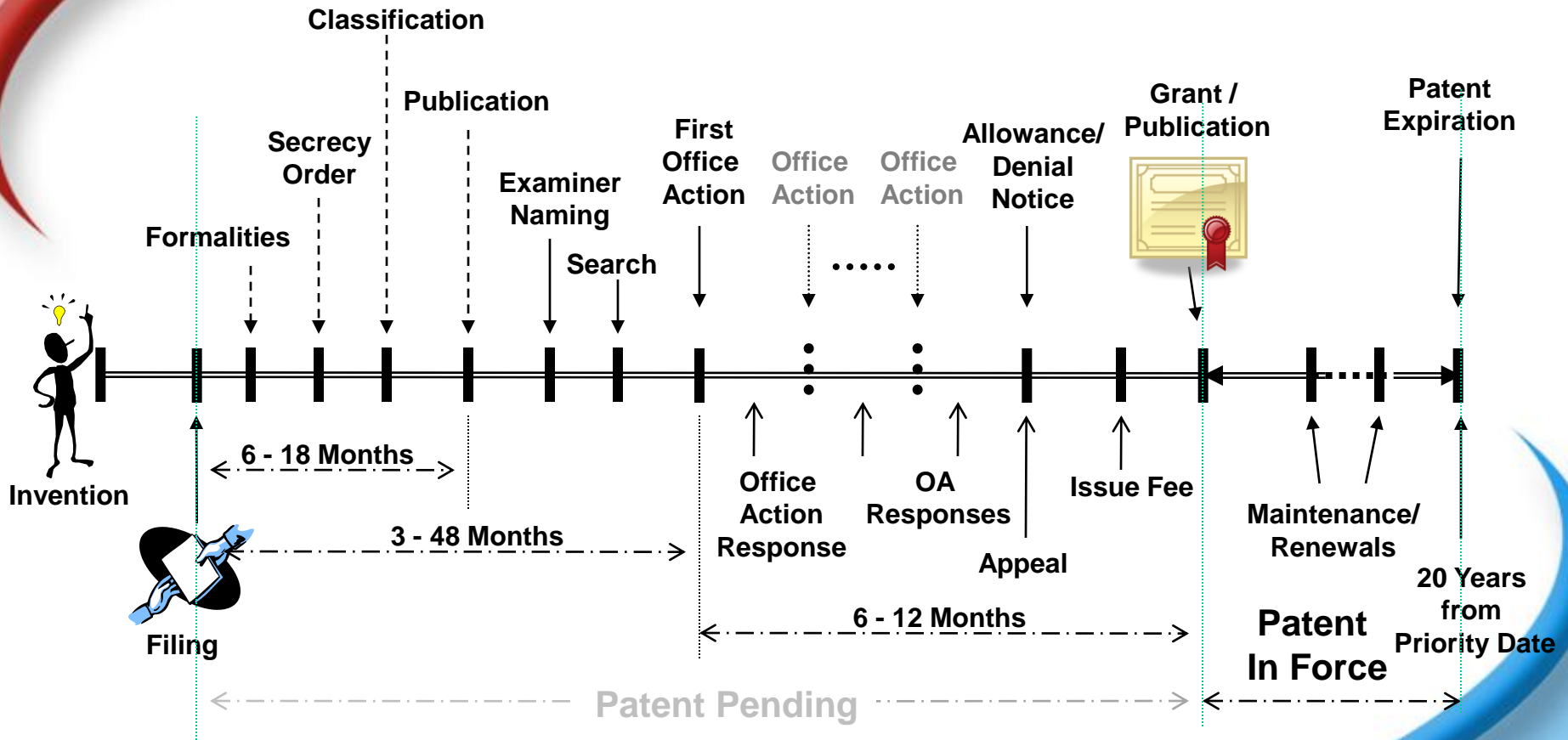
(74) Attorney, Agent, or Firm—Emily G. Schneider; Paul A. Gottlieb

ABSTRACT

(57) The method of determining the extent to which a nickel structure has been attacked by a halogen containing gas to which it has been exposed which comprises preparing a quantity of water substantially free from dissolved oxygen,



Patent Trail



Secrecy Order



98. הגבלת הזכות להגיש בקשת פטנט בחוץ-לארץ (תיקון: תשנ"ה)2
 אזרח ישראל, תושב קבוע בישראל, או אדם אחר החייב בנאמנות למדינה, לא יגיש מחוץ לישראל בקשה למתן פטנט על אמצאה שנושאה הוא נשק, תחמושת או שהיא בעלת ערך צבאי אחר, או על אמצאה שסעיף 95 דן בה ולא יגרום, במישרין או בעקיפין, להגשת בקשה כאמור, אלא באחת מאלה:

(1) קיבל על כך מראש היתר בכתב משר הבטחון;

(2) הגיש בישראל בקשה לגבי אותה אמצאה, ומיום הגשת הבקשה עברו ששה חדשים ושר הבטחון לא נתן לגביה צו לפי סעיף 94, או שנתן צו אך כבר אין הוא בר-תוקף.

סימן ב': סמכויות בדבר אמצאות הנוגעות לאנרגיה הגרעינית

99. הגבלת פעולות בשטח האנרגיה הגרעינית (תיקון: תשנ"ה)2

(א) ראה השר כי אמצאה שהוגשה עליה בקשת פטנט, חשובה לפיתוחו של השימוש באנרגיה גרעינית בישראל או שפרסום האמצאה עשוי לגרום נזק למחקר הגרעיני בישראל, רשאי הוא, בצו, לאחר התייעצות עם שר המשפטים -

(1) להורות לרשם שיימנע מעשיית פעולה שהוא חייב או רשאי לעשותה לפי חוק זה בענין הבקשה, או שידחה את עשייתה;

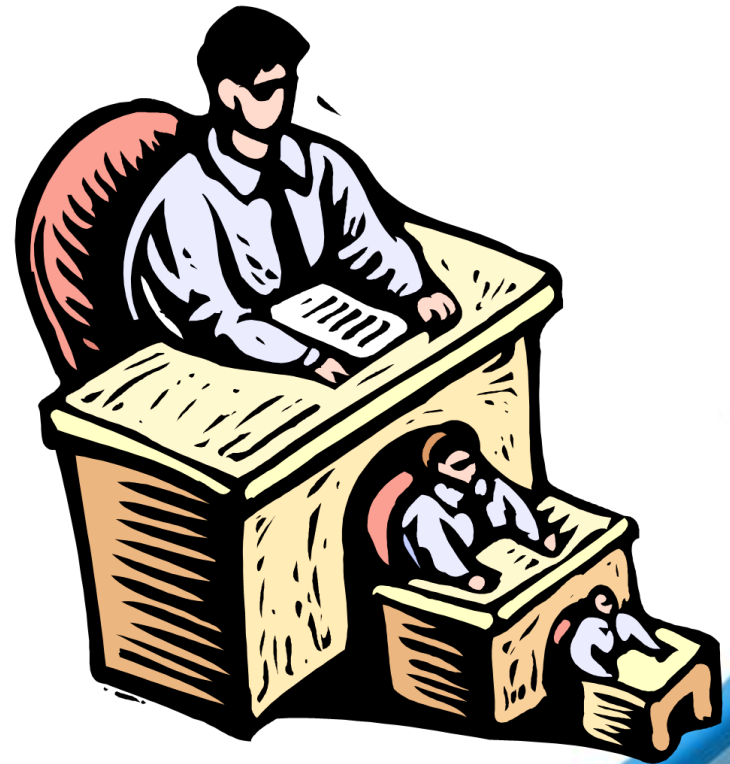
(2) לאסור או להגביל פרסום או מסירת ידיעות בקשר לבקשה או בקשר למידע הכלול בה.

(ב) העתק של צו השר יימסר למבקש.

100. העברת בקשות מסוימות

Patent Classification

- Hierarchical Structure
- Technology divided into major disciplines:
 - Chemical
 - Electrical
 - Mechanical
 -



Patent Classification

- Each Discipline is Further Divided into Sub-Technologies
 - Electrical
 - Communications
 - Computers
 - Physics, Optics
 - System Components



Patent Classification

- Each Sub-Technology is Divided into Classes
 - Electrical
 - Communications
 - Class 379 Telephony
 - Class 382 Image Analysis
 - Class 455 Telecommunications
 - Class 348 Television

Patent Classification

- Each Class is Broken Down into Subclasses which are the Smallest Division
- Class 348 Television has Subclasses such as
 - TV Displays
 - Bandwidth Compression
 - Transmitters
 - Receivers
 - Etc.

Patentability

United States Patent [19]
Hartman

[11] **Patent Number:** **5,971,829**

[45] **Date of Patent:** **Oct. 26, 1999**

[54] **MOTORIZED ICE CREAM CONE**

[76] Inventor: **Richard B. Hartman**, P.O. Box 228,
Issaquah, Wash. 98027

[21] Appl. No.: **09/036,398**

[22] Filed: **Mar. 6, 1998**

[51] **Int. Cl.**⁶ **A63H 33/00**; B65D 85/78

[52] **U.S. Cl.** **446/236**; 446/73; 446/76;
40/430; 426/132; 426/104

[58] **Field of Search** 446/71, 73, 74,
446/76, 236; 40/414, 430; 426/132, 134,
135, 104

[56] **References Cited**

U.S. PATENT DOCUMENTS

2,162,224	6/1939	Legge .	
2,547,651	4/1951	McCrum .	
2,581,879	1/1952	Powers .	
3,598,062	8/1971	Weinstein .	
3,814,360	6/1974	Samuelian et al. .	
4,231,496	11/1980	Gilson .	
4,490,931	1/1985	Fleemin	40/406
4,764,850	8/1988	Albanese	362/35

5,209,692	5/1993	Coleman et al. .	
5,224,646	7/1993	Biancosini .	
5,536,054	7/1996	Liaw .	
5,553,643	9/1996	Goldbarb et al.	141/34
5,582,532	12/1996	Tucker	446/475
5,690,535	11/1997	Coleman et al.	446/236
5,736,659	4/1998	Kyle Jr	81/052

OTHER REFERENCES

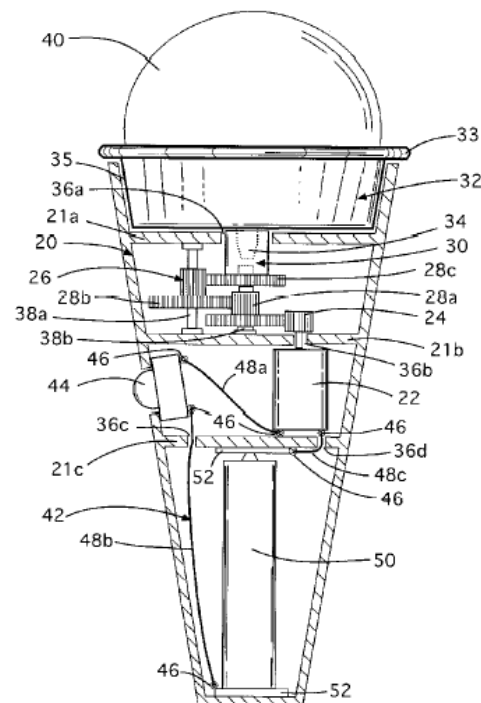
Cap Toys. 1996 product 1996).

*Primary Examiner—Robe
Assistant Examiner—Lau*

[57] **AF**

A novelty amusement eating and sculpting a portable food while it is being held housing, a cup rotatable housing and adapted to receive cream or food product of mechanism in the hand-held upon the cup and rotation person's outstretched tongue

7 Claims,



Class 446 AMUSEMENT DEVICES: TOYS

- 229 · Including electrical or wind-up propulsion motor
- 230 **SIMULATED AIRCRAFT OR SPACE VEHICLE (I.E., NON-AERODYNAMIC)**
- 231 · Space vehicle or rocket
 - 232 · Having means to rotate propeller or rotor
- 233 **GYROSCOPIC**
- 234 · Having figure
 - 235 · ~~Having detachable cord for spinning~~
- 236 **ROTATING OR HAVING VISIBLE ROTATING PORTION (E.G., SPINNING OR WHIRLING)**
- 237 · On wheeled support
- 238 ·· And having additional portion which reciprocates or oscillates, or which rotates about
- 239 · Including corrugated support for imparting rotation
 - 240 · Including unattached rod for manipulating toy
 - 241 · Including helically grooved or twisted shaft for imparting rotation
 - 242 · Including electric light or electric sounder
- 243 · Including markings producing visual effect (e.g., chromatic)
- 244 ·· Thaumotropic effect
 - 245 ·· Cord impeller
- 246 · Including hand crank for imparting rotation

Class 707 DATA PROCESSING: DATABASE AND FILE MANAGEMENT OR DATA STRUCTURES

[Click here for a printable version of this file](#)

Turn Outline

Select Largest Indent Level to be Displayed

- 600 **DATA WAREHOUSE, DATA MART, ONLINE ANALYTICAL PROCESSING (OLAP), DECISION SUPPORT SYSTEMS**
- 601 · Tools to automate schema definition process
- 602 · Data extraction, transformation, and loading (ETL)
- 603 · Reporting, knowledge discovery (KD) systems
- 604 · Using a denormalized schema
- 605 .. Using a star schema
- 606 .. Using a snowflake schema
- 607 **ONLINE TRANSACTIONAL PROCESSING (OLTP) SYSTEM**
- 608 **COLLABORATIVE DOCUMENT DATABASE AND WORKFLOW**
- 609 **FILE OR DATABASE MAINTENANCE**
- 610 · Synchronization (i.e., replication)
- 611 .. Synchronous
- 612 ... Multiway synchronization
- 613 .. Asynchronous synchronization (e.g., message or notification based)
- 614 ... Multiway synchronization
- 615 ... Transactional replication
- 616 ... Merge replication
- 617 .. Connection based synchronization
- 618 .. Scheduled synchronization
- 619 ... Background replication
- 620 .. Synchronization environment

Class 455 TELECOMMUNICATIONS

[Click here for a printable version of this file](#)

Turn Outline OFF

Select Largest Indent Level to be Displayed

Select Expansion Level:

- | | |
|--|--|
| <ul style="list-style-type: none"> <input type="checkbox"/> <input type="checkbox"/> 1 <input type="checkbox"/> <input type="checkbox"/> 2.01 - <input type="checkbox"/> <input type="checkbox"/> 3.01 <input type="checkbox"/> <input type="checkbox"/> 3.02 - <input type="checkbox"/> <input type="checkbox"/> 3.03 <input type="checkbox"/> <input type="checkbox"/> 3.04 <input type="checkbox"/> <input type="checkbox"/> 3.05 <input type="checkbox"/> <input type="checkbox"/> 3.06 - <input type="checkbox"/> <input type="checkbox"/> 400 <input type="checkbox"/> <input type="checkbox"/> 401 <input type="checkbox"/> <input type="checkbox"/> 402 - <input type="checkbox"/> <input type="checkbox"/> 403 - <input type="checkbox"/> <input type="checkbox"/> 404.1 <input type="checkbox"/> <input type="checkbox"/> 404.2 - <input type="checkbox"/> <input type="checkbox"/> 64 - <input type="checkbox"/> <input type="checkbox"/> 65 <input type="checkbox"/> <input type="checkbox"/> 66.1 <input type="checkbox"/> <input type="checkbox"/> 67.11 <input type="checkbox"/> <input type="checkbox"/> 67.12 - <input type="checkbox"/> <input type="checkbox"/> 67.13 <input type="checkbox"/> <input type="checkbox"/> 67.14 <input type="checkbox"/> <input type="checkbox"/> 67.15 | <p>INTERFERENCE SIGNAL TRANSMISSION (E.G., JAMMING)</p> <p>AUDIENCE SURVEY OR PROGRAM DISTRIBUTION USE ACCOUNTING</p> <p>WIRELESS DISTRIBUTION SYSTEM</p> <ul style="list-style-type: none"> - Receiver for satellite broadcast - Remote control of distribution -- With subscriber selection or switching - Two-way - Combined with diverse art device (e.g., audio/sound or entertainment system) <p>HAVING SINGLE-CHANNEL TELEPHONE CARRIER</p> <ul style="list-style-type: none"> - Including call signaling (e.g., ringing, off-hook, dialing) - Over power line <p>RADIOTELEPHONE SYSTEM</p> <ul style="list-style-type: none"> - Emergency or alarm communication -- <u>Location monitoring</u> -- Plasma source or barrier -- <u>Anti-multipath</u> - Having diverse art device - Having measuring, testing, or monitoring of system or part -- Using a chamber (e.g., room testing or audio surveillance, etc.) -- Noise, distortion, or unwanted signal detection (e.g., quality control, etc.) -- Using a test signal |
|--|--|

Patentability

United States Patent [19]
Dubus et al.

US 5,421,081
 [11] **Patent Number:** 5,421,081
 [45] **Date of Patent:** Jun. 6, 1994

[54] **FORK WITH TIMER**

[76] **Inventors:** Nicole M. Dubus; Susan Springfield,
 both of 132 Castillion Ter., Santa
 Cruz, Calif. 95060

[21] **Appl. No.:** 249,191

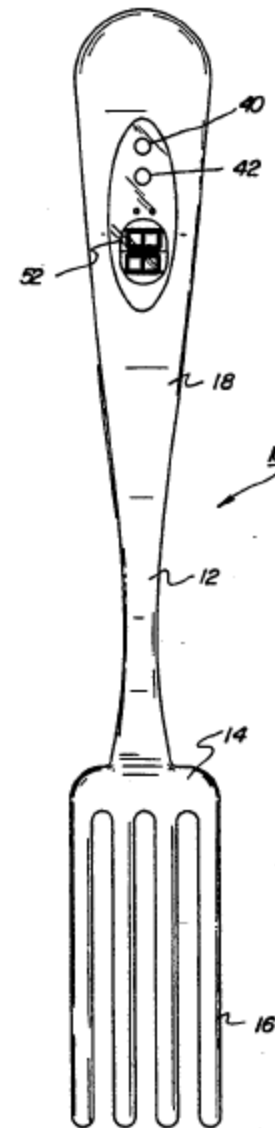
[22] **Filed:** May 26, 1994

[51] **Int. Cl.⁶** A47J 43/28

[52] **U.S. Cl.** 30/142; 30/322

[58] **Field of Search** 30/123, 142, 324, 137,
 30/147, 148, 149, 150, 322; 446/81, 175

[56] **References Cited**



Patentability

United States Patent [19]
Sevilla

[11] **Patent Number:** 5,076,029
 [45] **Date of Patent:** Dec. 31, 1991

[54] **HELIUM-FILLED SUN SHADES**

[76] **Inventor:** Frederick J. Sevilla, 920 S. Coleman,
 Mesa, Ariz. 85210

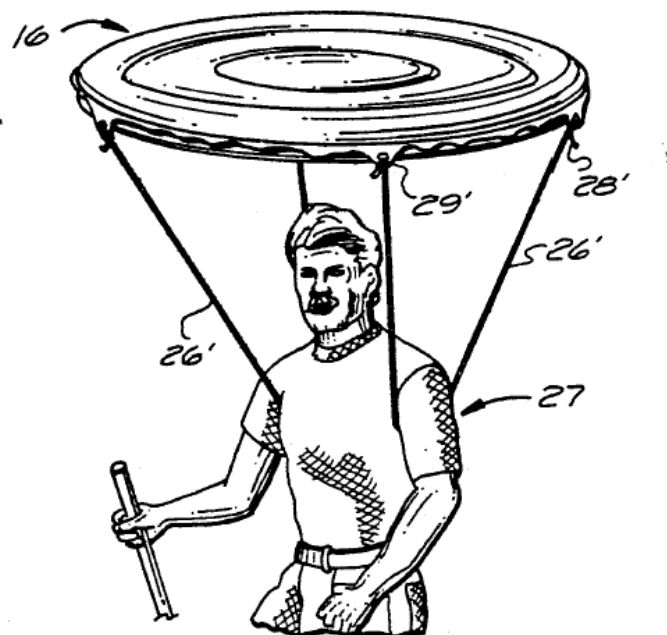
[21] **Appl. No.:** 460,243

[22] **Filed:** Jan. 2, 1990

[51] **Int. Cl.⁵** E04B 1/34

[52] **U.S. Cl.** 52/2.24; 244/33;
 52/2.25

[58] **Field of Search** 52/2 J, 2 K; 244/31,
 244/33, 146



Class Number and Title

- 002 Apparel
- 004 Baths, closets, sinks, and spittoons
- 005 Beds
- 007 Compound tools
- 008 Bleaching and dyeing; fluid treatment and chemical modification of textiles and fibers
- 012 Boot and shoe making
- 014 Bridges
- 015 Brushing, scrubbing, and general cleaning
- 016 Miscellaneous hardware (e.g., bushing, carpet fastener, caster, door closer, panel hanger, attachable or adjunct handle, hinge, window sash balance, etc.)

Class Number and Title

- 131 Tobacco
- 132 Toilet
- 134 Cleaning and liquid contact with solids
- 135 Tent, canopy, umbrella, or cane
- 136 Batteries: thermoelectric and photoelectric
- 137 Fluid handling
- 138 Pipes and tubular conduits
- 139 Textiles: weaving
- 140 Wireworking

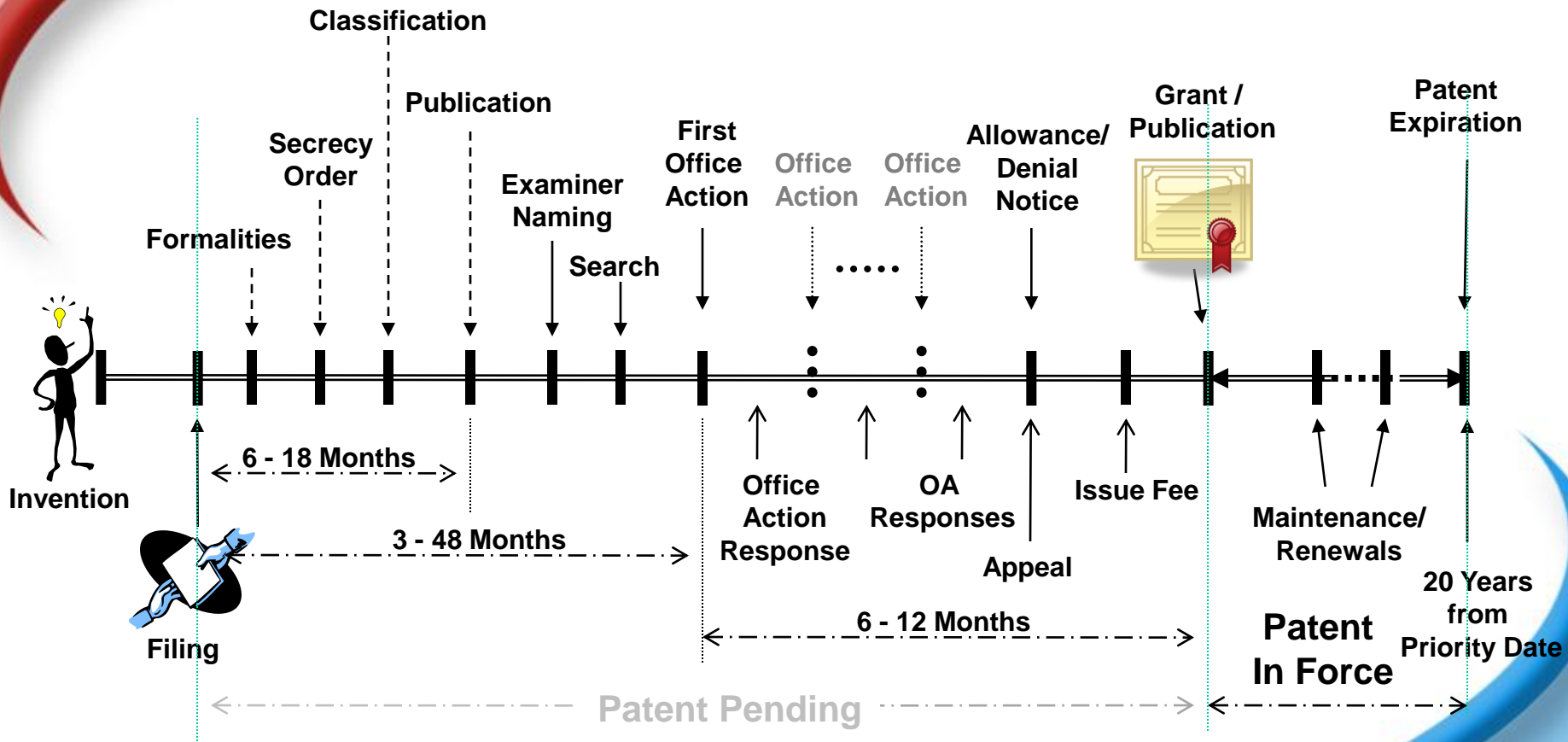
Class Number and Title

- 051 Abrasive tool making process, material, or composition
- 052 Static structures (e.g., buildings)
- 053 Package making
- 054 Harness for working animal
- 055 Gas separation
- 056 Harvesters
- 057 Textiles: spinning, twisting, and twining
- 059 Chain, staple, and horseshoe making
- 060 Power plants

Class Number and Title

- 172 Earth working
- 173 Tool driving or impacting
- 174 Electricity: conductors and insulators
- 175 Boring or penetrating the earth
- 177 Weighing scales
- 178 Telegraphy
- 180 Motor vehicles
- 181 Acoustics
- 182 Fire escape, ladder, or scaffold
- 184 Lubrication
- 185 Motors: spring, weight, or animal powered
- 186 Merchandising

Patent Trail



(19) **United States**

(12) **Patent Application Publication**

Fadell et al.

(10) **Pub. No.: US 2004/0224638 A1**

(43) **Pub. Date: Nov. 11, 2004**

(54) **MEDIA PLAYER SYSTEM**

(75) Inventors: **Anthony M. Fadell**, Portola Valley, CA (US); **Stephen Paul Zadesky**, San Carlos, CA (US); **John Benjamin Filson**, Los Altos, CA (US)

Correspondence Address:
BEYER WEAVER & THOMAS LLP
P.O. BOX 778
BERKELEY, CA 94704-0778 (US)

(73) Assignee: **Apple Computer, Inc.**

(21) Appl. No.: **10/423,490**

(22) Filed: **Apr. 25, 2003**

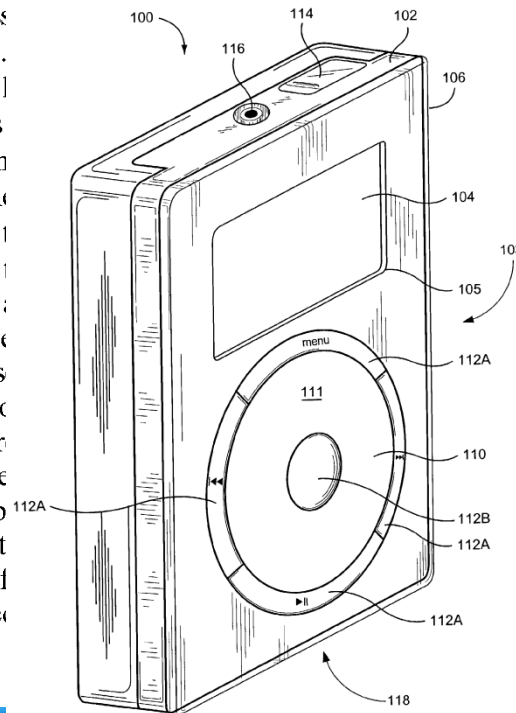
Publication Classification

(51) **Int. Cl.⁷** **H04M 1/00; H04B 1/38**
(52) **U.S. Cl.** **455/66.1; 455/41.2**

(57) **ABSTRACT**

A media player system is disclosed. One aspect of the media player system pertains to a docking station that allows a

media player to communicate with other media devices. Another aspect of the media player system pertains to a wireless media player system that includes a hand held media player capable of transmitting information over a wireless connection and one or more media devices capable of receiving information over the wireless connection. Another aspect of the media player system pertains to a method of wireless communication between a first device to another device. In one aspect, the first device is an item on the hand held media player system. In another aspect, the first device is a remote recipient capable of receiving information transmitted from the media player, and wireless communication between the hand held music player and the remote recipient is configured to allow the first device to transmit information over a wireless connection to one or more peripheral devices. In another aspect, the first device is a transmitter capable of transmitting information over the wireless connection to one or more peripheral devices. In another aspect, the first device is a media player system housing and a peripheral device is mounted within the housing and is directed at a first functionality.



(12) **United States Patent**
Fadell et al.

(10) **Patent No.:** **US 7,627,343 B2**
 (45) **Date of Patent:** ***Dec. 1, 2009**

(54) **MEDIA PLAYER SYSTEM**

(75) Inventors: **Anthony M. Fadell**, Portola Valley, CA (US); **Stephen Paul Zadesky**, San Carlos, CA (US); **John Benjamin Filson**, Los Altos, CA (US)

(73) Assignee: **Apple Inc.**, Cupertino, CA (US)

(*) Notice: Subject to any disclaimer, the term of this patent is extended or adjusted under 35 U.S.C. 154(b) by 427 days.

This patent is subject to a terminal disclaimer.

(21) Appl. No.: **10/423,490**

(22) Filed: **Apr. 25, 2003**

OTHER PUBLICATIONS

Co-Pending U.S. Appl. No. 11/875,661; Co-Pending U.S. Appl. No. 12/238,278; Co-Pending U.S. Appl. No. 12/394,459; Co-Pending U.S. Appl. No. 12/418,439; Co-Pending U.S. Appl. No. 11/875,638.*

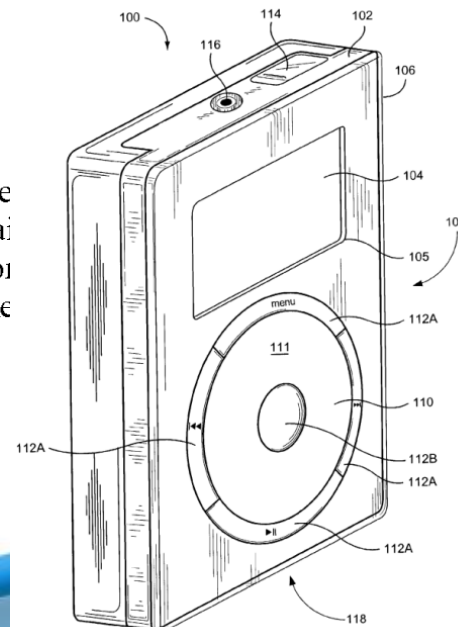
(Continued)

Primary Examiner—George Eng
Assistant Examiner—Brandon J Miller

(74) *Attorney, Agent, or Firm*—Townsend and Townsend and Crew LLP

(57)

A media player system pertains to a media player to control a media player. Another aspect of the



media
 ws a
 rices.
 wire-

Stu's Views

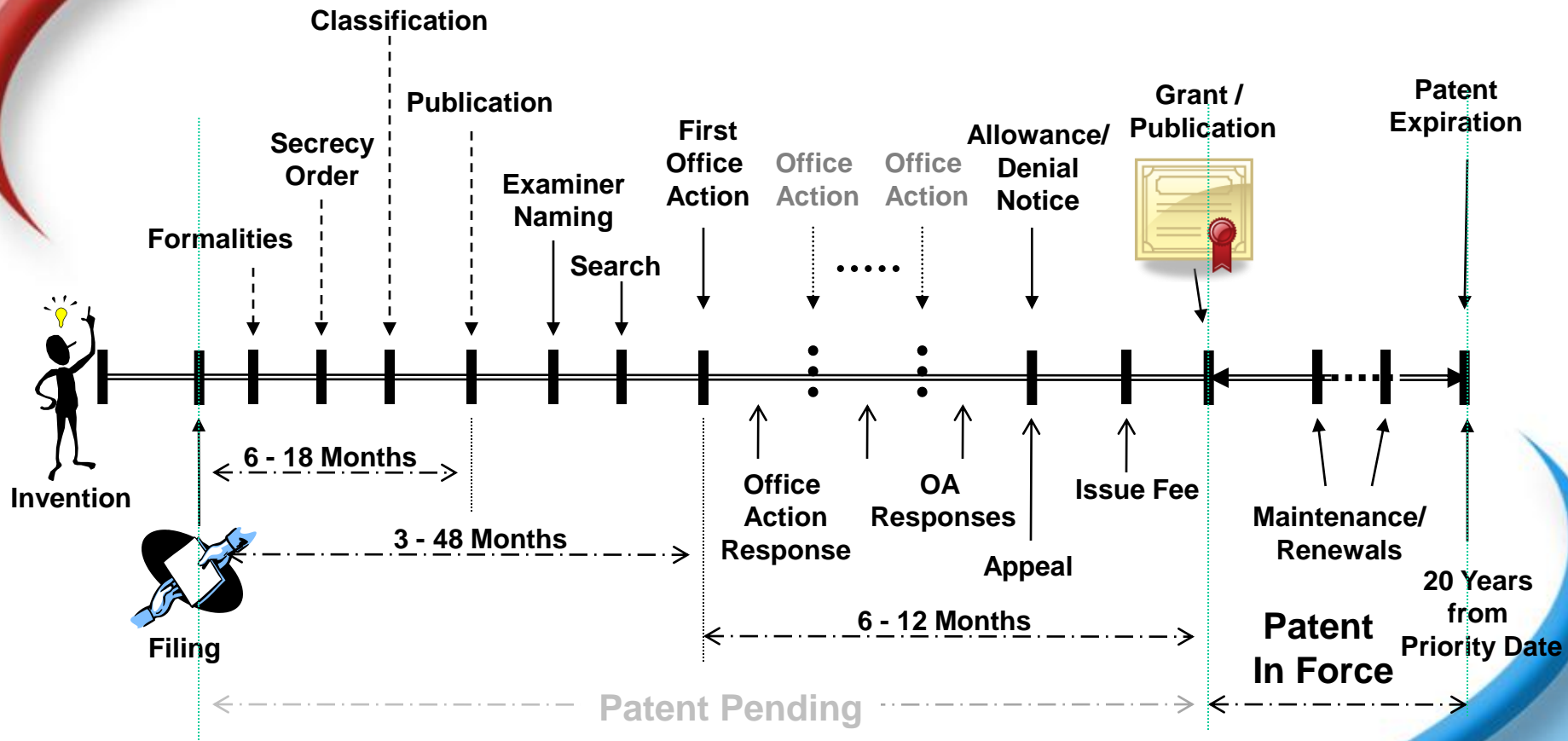
© Stu All Rights Reserved www.STUS.com

Why did you become a patent examiner?

Because I love telling people "no".



Patent Trail



FOR EACH CLAIM...

- **Claims format / integrity / formal / patentability**
- **Claims restriction**
- **For each claim approval / rejection based on:**
 - **Enablement**
 - **Useful**
 - **New**
 - **Non-Obvious**
- **MUST be supported (by citing closest prior art)**
- **Limited time to respond**

Claim Rejections - 35 USC § 112

1. The following is a quotation of the second paragraph of 35 U.S.C. 112:

The specification shall conclude with one or more claims particularly pointing out and distinctly claiming the subject matter which the applicant regards as his invention.

2. Claims 1 and 4 are rejected under 35 U.S.C. 112, second paragraph, as being indefinite for failing to particularly point out and distinctly claim the subject matter which applicant regards as the invention.
3. Regarding claims 1 and 4, the word "means" is not preceded by any word(s); in an attempt to use a "means" clause to recite a claim element as a means for performing a specified function. However, since no function is specified by any word(s) preceding "means," it is impossible to determine the equivalents of the element, as required by 35 U.S.C. 112, sixth paragraph. See *Ex parte Klumb*, 159 USPQ 694 (Bd. App. 1967).

telephone signals, but the initial application does not recite the device of claim 17.

It thus can be seen that, the technical solution of claim 17 is not literally recited in the description and claims of the initial application, nor can it be determined directly or unambiguously from the contents literally recited in the initial description and claims and from the drawings. Therefore, claim 17 does not comply with the provisions of Article 33 of the CPL.

3. The additional technical features of claims 2-7, 14, 15, 18-21 and 28 are not literally recited in the description and claims of the initial application, nor can they be determined directly or unambiguously from the contents literally recited in the initial description and claims and from the drawings. Therefore, claims 2-7, 14, 15, 18-21 and 28 do not comply with the provisions of Article 33 of the CPL.

4. The additional technical features of claims 8 and 22 are not literally recited in the description and claims of the initial application. The initial application merely

DETAILED ACTION***Election/Restrictions***

Restriction to one of the following inventions is required under 35 U.S.C. 121:

- I. Claims 1-21, 61-70, and 90-101 drawn to details of interface for connecting user to the network, classified in class 370, subclass 463.
- II. Claims 22-32, 44-53 and 102-109 drawn to multiplexing digital data signal with television signal, the multiplexed signal is transmitted over CATV cable, classified in class 348, subclass 14.04.
- III. Claims 33-43, 54-60, 71-89, and 110-117, drawn to multiplexing combined with demultiplexing, classified in class 370, subclass 535.
- IV. Claims 118-168, drawn to bidirectional broadcast and distribution in an optical system, classified in class 398, subclass 67.
- V. Claims 169-177, drawn to wireless interface attached device, classified in class 455, subclass 557.
- VI. Claims 178-189, drawn to combining and distributing information via frequency channels, classified in class 370, subclass 480.

The inventions are distinct, each from the other because of the following reasons:

Inventions I, II and IV are directed to an unrelated product and process. Product and process inventions are unrelated if it can be shown that the product cannot be used in, or made by, the process. See MPEP § 802.01 and § 806.06. In the instant case, the

Claim Rejections - 35 USC § 102

4. The following is a quotation of the appropriate paragraphs of 35 U.S.C. 102 that form the basis for the rejections under this section made in this Office action:

A person shall be entitled to a patent unless –

(b) the invention was patented or described in a printed publication in this or a foreign country or in public use or on sale in this country, more than one year prior to the date of application for patent in the United States.

5. Claims 1-8 and 10 are rejected under 35 U.S.C. 102(b) as being anticipated by Bottman (US 5,633,801).

Referring to claim 1, Bottman discloses a device for estimating the termination to a wired transmission-line, the device comprising: a port (fig. 1 (18)) for connecting to the wired transmission-line (fig. 1 (12)), impedance measuring unit (fig. 1 (10)) coupled to said port for instantaneously measuring the lumped impedance Z of the transmission-line (column 4, lines 16-25), and means (fig. 2 (62)) coupled to said impedance measuring unit for estimating the optimal termination value of the transmission-line based on the measured value Z .

Referring to claim 2, Bottman discloses the device as claimed, further comprising a memory (fig. 2 (58) and (72)) coupled for storing the measured lumped impedance value.

Referring to claim 3, Bottman discloses the device as claimed wherein the estimated value is equal to the measured value Z (column 4, lines 16-33).

**INTERNATIONAL PRELIMINARY
EXAMINATION REPORT**

International application No. PCT/IL97/00195

V. Reasoned statement under Article 35(2) with regard to novelty, inventive step or industrial applicability; citations and explanations supporting such statement

1. Statement

Novelty (N)	Yes: Claims 1-24
	No: Claims
Inventive step (IS)	Yes: Claims 1-24
	No: Claims
Industrial applicability (IA)	Yes: Claims 1-24
	No: Claims

2. Citations and explanations

see separate sheet

**INTERNATIONAL PRELIMINARY
EXAMINATION REPORT**

International application No. PCT/IL01/00954

5. This report has been established as if (some of) the amendments had not been made, since they have been considered to go beyond the disclosure as filed (Rule 70.2(c)).

(Any replacement sheet containing such amendments must be referred to under item 1 and annexed to this report.)

6. Additional observations, if necessary:

V. Reasoned statement under Article 35(2) with regard to novelty, inventive step or industrial applicability; citations and explanations supporting such statement

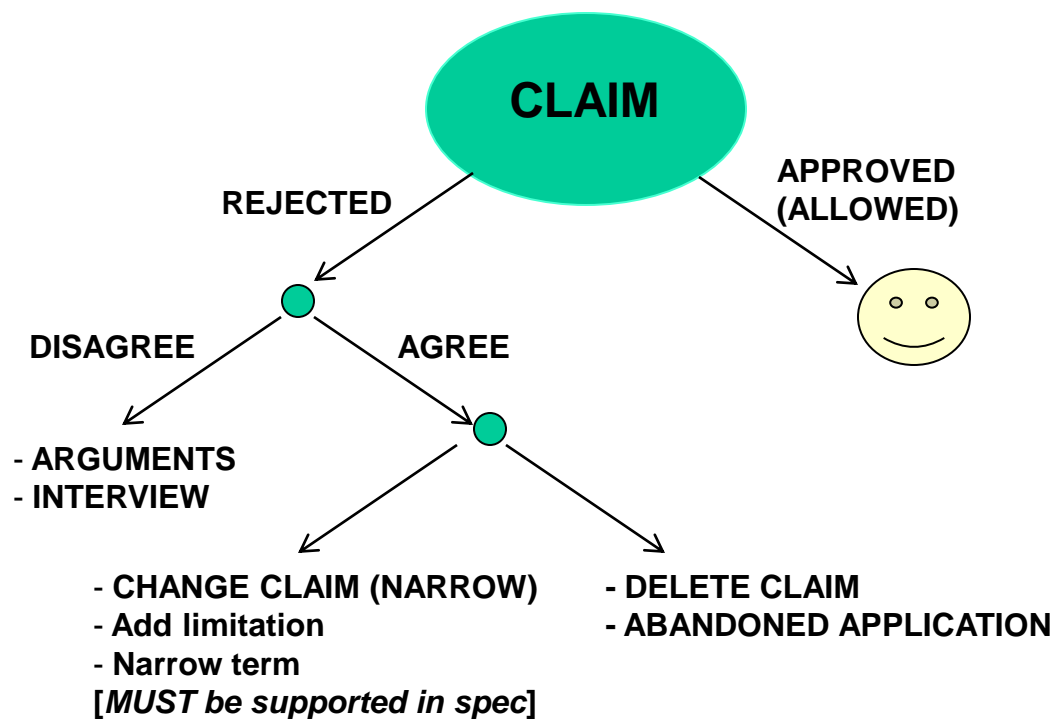
1. Statement

Novelty (N)	Yes: Claims	1-29
	No: Claims	
Inventive step (IS)	Yes: Claims	
	No: Claims	1-29
Industrial applicability (IA)	Yes: Claims	1-29
	No: Claims	

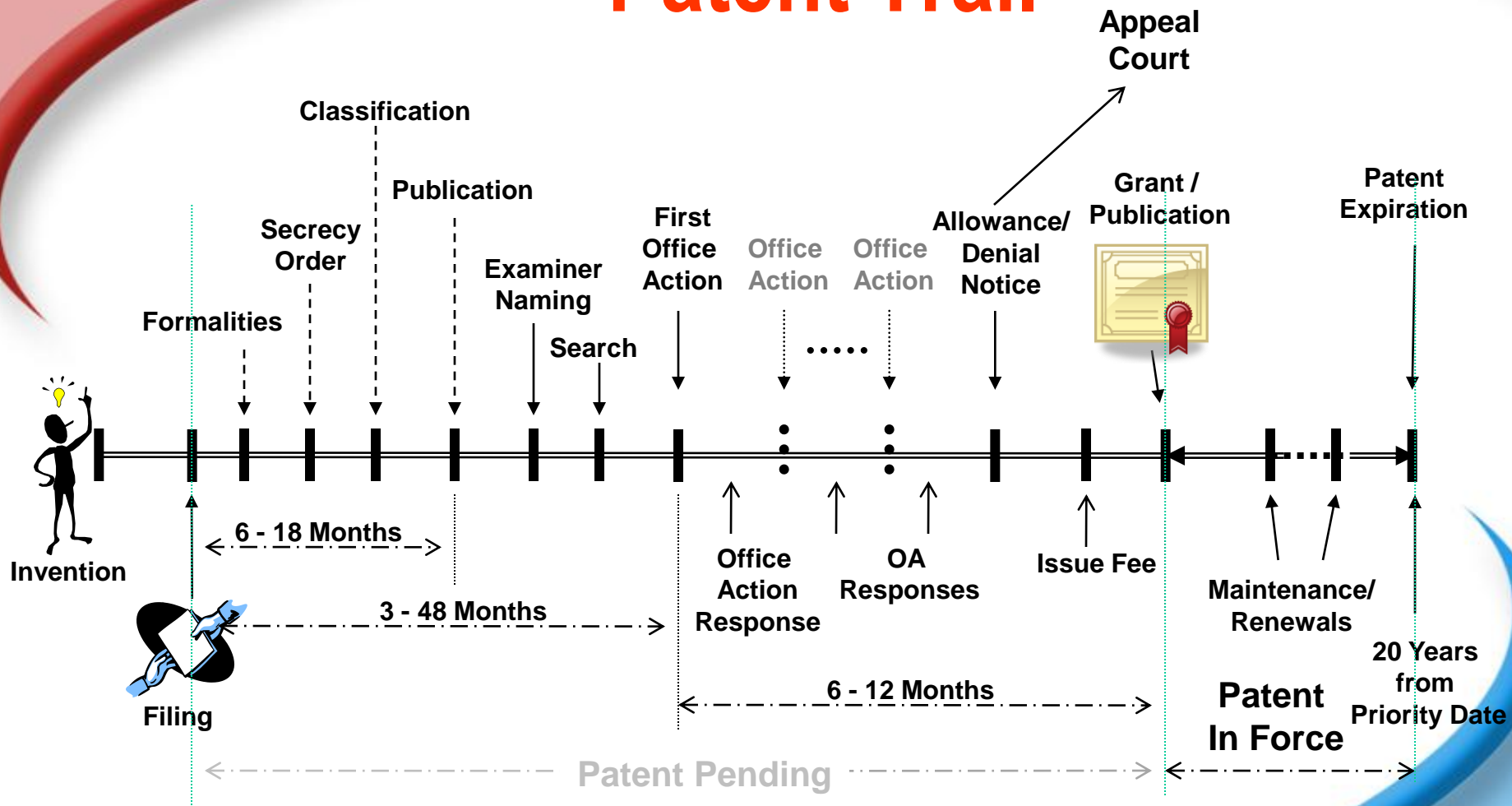
2. Citations and explanations

see separate sheet

Office Action Response



Patent Trail

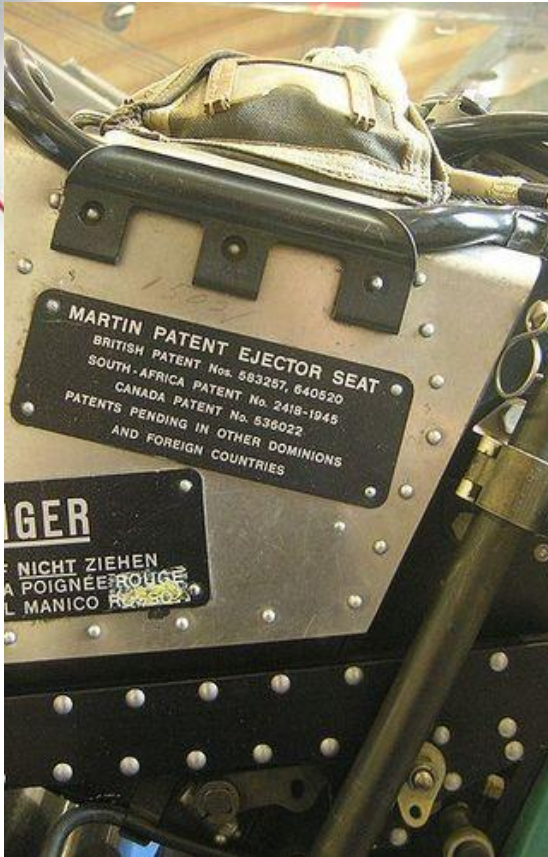


Once Your Patent Issues...

- **Continuation !!!!!!!!!!!!!!!!!!!!!!!!!!!!!!!**
- **Order plaque.**
- **Press release.**
- **Marking !!!!!!!!!!!!!!!!!!!!!!!!!!!!!!!**
- **Notice letters**



Marking



A



B

Marking

PATENT NOTICE

National Instruments Software Related Patents

With respect to the National Instruments software product(s) being used, the following patents may apply:

LabVIEW

The LabVIEW software is covered by one or more of the following Patents:

United States Patent No(s): 5,291,587; 5,301,301; 5,301,336; 5,475,851; 5,481,740; 5,481,741; 5,497,500; 5,504,917; 5,583,988; 5,610,828; 5,652,909; 5,732,277; 5,734,863; 5,737,622; 5,764,546; 5,784,275; 5,821,934; 5,847,953; 5,905,649; 5,920,479; 5,966,532; 5,974,254; 5,987,246; 5,990,906; 6,053,951; 6,064,409; 6,064,812; 6,064,816; 6,102,965; 6,138,270; 6,173,438; 6,282,699; 6,370,569; 6,411,987; 6,437,805; 6,505,247; 6,526,566; 6,584,601; 6,690,981; 6,751,653; 6,802,053; 6,874,148; 6,876,368; 6,880,130; 6,954,904; 6,971,065; 6,976,222; 6,990,652; 7,000,190; 7,017,123; 7,024,631; 7,028,222; 7,043,693; 7,043,696; 7,058,899; 7,069,517; 7,076,740; 7,120,874; 7,120,876; 7,120,877; 7,134,081; 7,134,085; 7,134,086; 7,152,116; 7,159,183; 7,185,287; 7,200,817; 7,200,838; 7,210,117; 7,213,207; 7,216,334; 7,287,230; 7,293,112; 7,302,675; 7,331,037; 7,340,684; 7,340,737; 7,356,774; 7,367,028; 7,376,904;

Design Patent No(s): D384050; D384051; D384052; D387750

European Patent No(s): 1004072; 1004085

LabVIEW FPGA Software/Hardware (includes CompactRIO)

The LabVIEW FPGA software and hardware is covered by one or more of the following Patents:

U.S. Patent No(s): 6,219,628; 6,311,149; 6,608,638; 6,934,667; 6,934,688; 6,954,724; 6,961,686; 6,983,228; 6,993,466; 7,010,470; 7,016,811; 7,024,660; 7,028,222; 7,085,670; 7,089,466; 7,152,027; 7,177,786; 7,290,244; 7,316,009; 7,336,631;

LabVIEW Real Time

The LabVIEW Real Time (LabVIEW-RT) software is covered by one or more of the following Patents:

U.S. Patent No(s): 6,173,438; 6,715,139; 6,961,686; 6,993,466; 7,028,222; 7,168,072

LabVIEW Signal Processing Toolset

The LabVIEW Signal Processing Toolset is covered by one or more of the following Patents:

U.S. Patent No(s): 5,353,233; 6,108,609; 6,434,515; 6,697,766; 6,882,958; 6,965,068;

European Patent No(s): 0632899

Japanese Patent No(s): 2,697,957



Post Grant Opposition

- **Re-examination**
- **Court**
- **MUST be based on a NEW prior art**

Pointers for Selecting Patent Attorney + Firm

© Original Artist
Reproduction rights obtainable from
www.CartoonStock.com



search ID: cwhn822

"After fire and the wheel, it was only logical to invent the patent attorney."

Pointers for Selecting Patent Attorney + Firm

- The Firm:
 - **Administration** (Computerized)
 - Administration fees
 - Worldwide associates
 - Convenience



Selecting Patent Attorney + Firm

- Qualified to work with local Patent Office.
- NOT a lawyer. MUST have technical basis
- The Patent Attorney tasks:
 - Preparing applications (per country)
 - Responding to Office Actions
 - Suggesting and executing strategy
 - General consulting



Selecting Patent Attorney + Firm

- The qualifications:
 - Patent knowledge
 - Technical knowledge (in the field)
 - Experience
 - Convenience
 - Responsiveness
 - Cost



Selecting Patent Attorney + Firm

- The selection can be based on:
 - References
 - “Chemistry”
 - Fees list
 - Patents / Applications in the field
 - Use your application for:
 - Technical review
 - Cost estimate
 - Trust your intuition ...

